

1 2 3 4 5

A

A

B

B

C

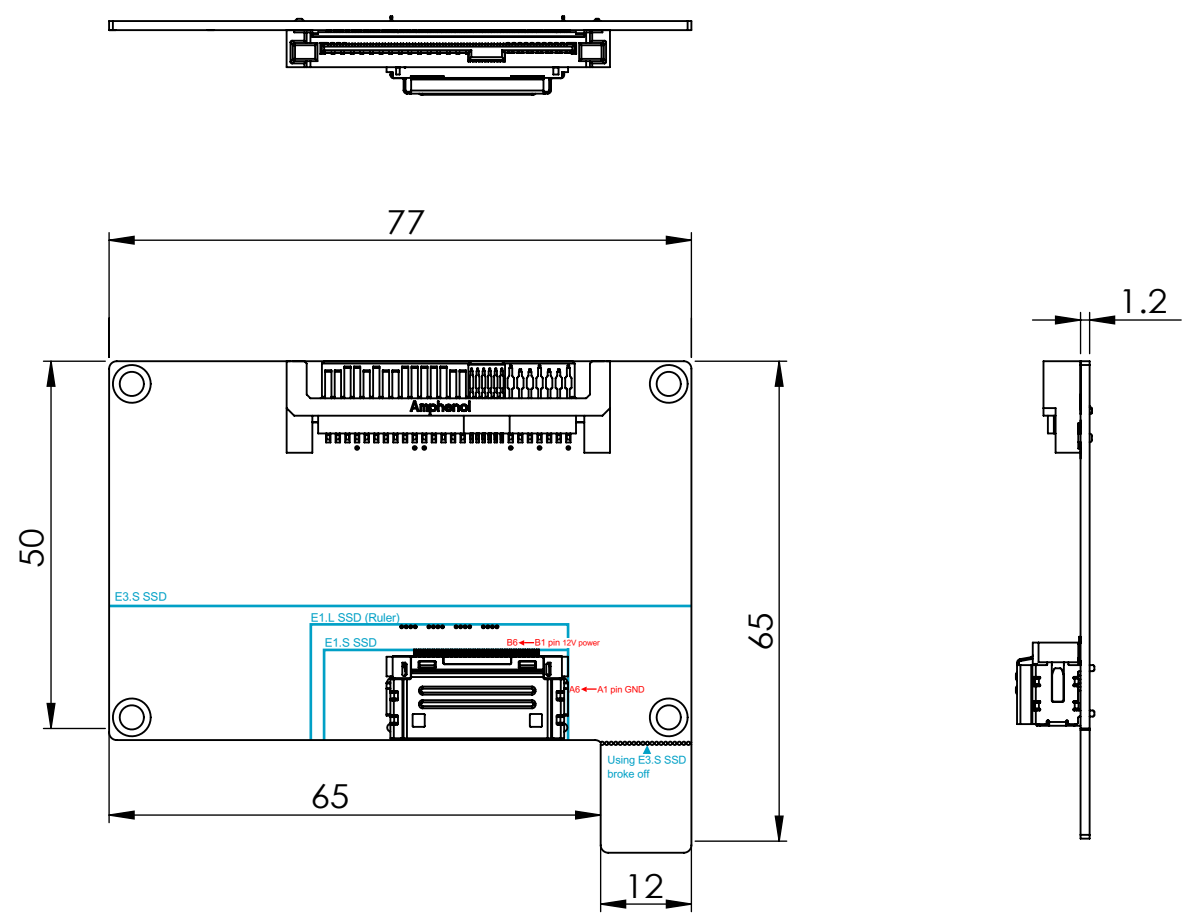
C

D

D

E

E



PCB Thickness : 1.2mm 6-layer board  
 PCB length x Width : 65 X 70 mm

Drawn	<b>Tina</b>	<b>Minerva Innovation Company</b>			
Checked	<b>2024-12-23</b>	Title	Part NO.		
Approved		<b>GE0246A</b>	Drawing NO.		
Angle of projection		Tolerance	Scale	Sheet	Siez
			1:1		Rev

1 2 3 4 5