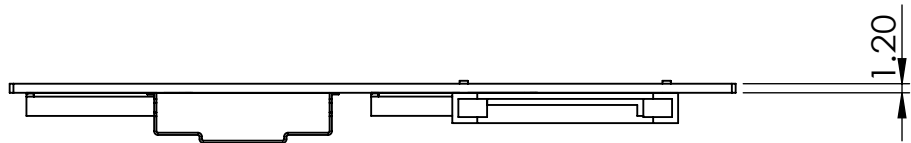


1 2 3 4 5

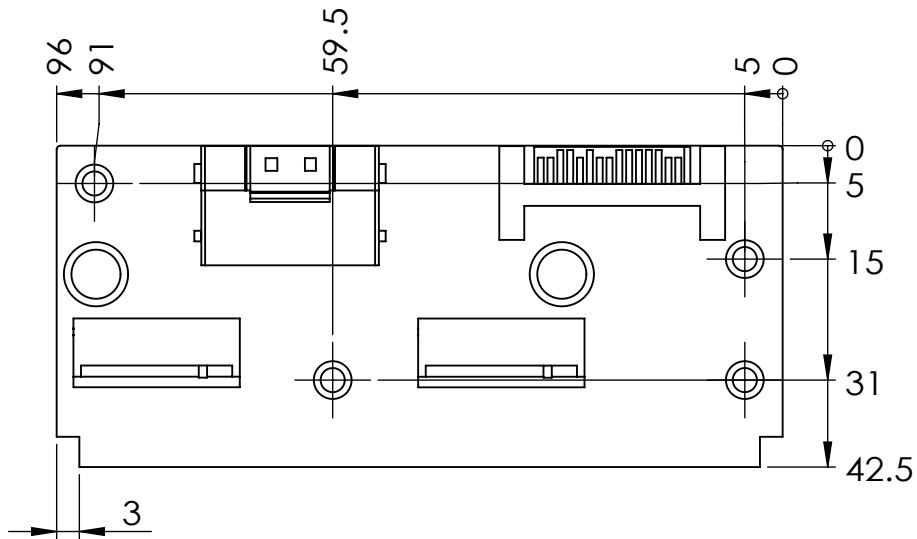
A

A



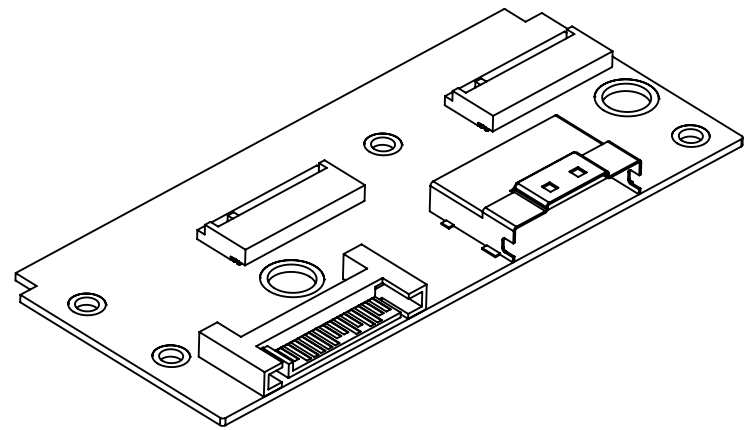
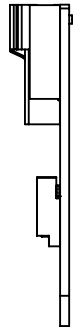
B

B



C

C



D

D

PCB Thickness(mils) : 1.2mm 4-layer board
 PCB length x Width : 42.5 X 96 mm

E

E

Drawn	Tina	Minerva Innovation Company			
Checked	2020-09-10	Title	Part NO.		
Approved		GD9801A	Drawing NO.		
Angle of projection		Tolerance	Scale	Sheet	Siez
			1:1		Rev

1 2 3 4 5