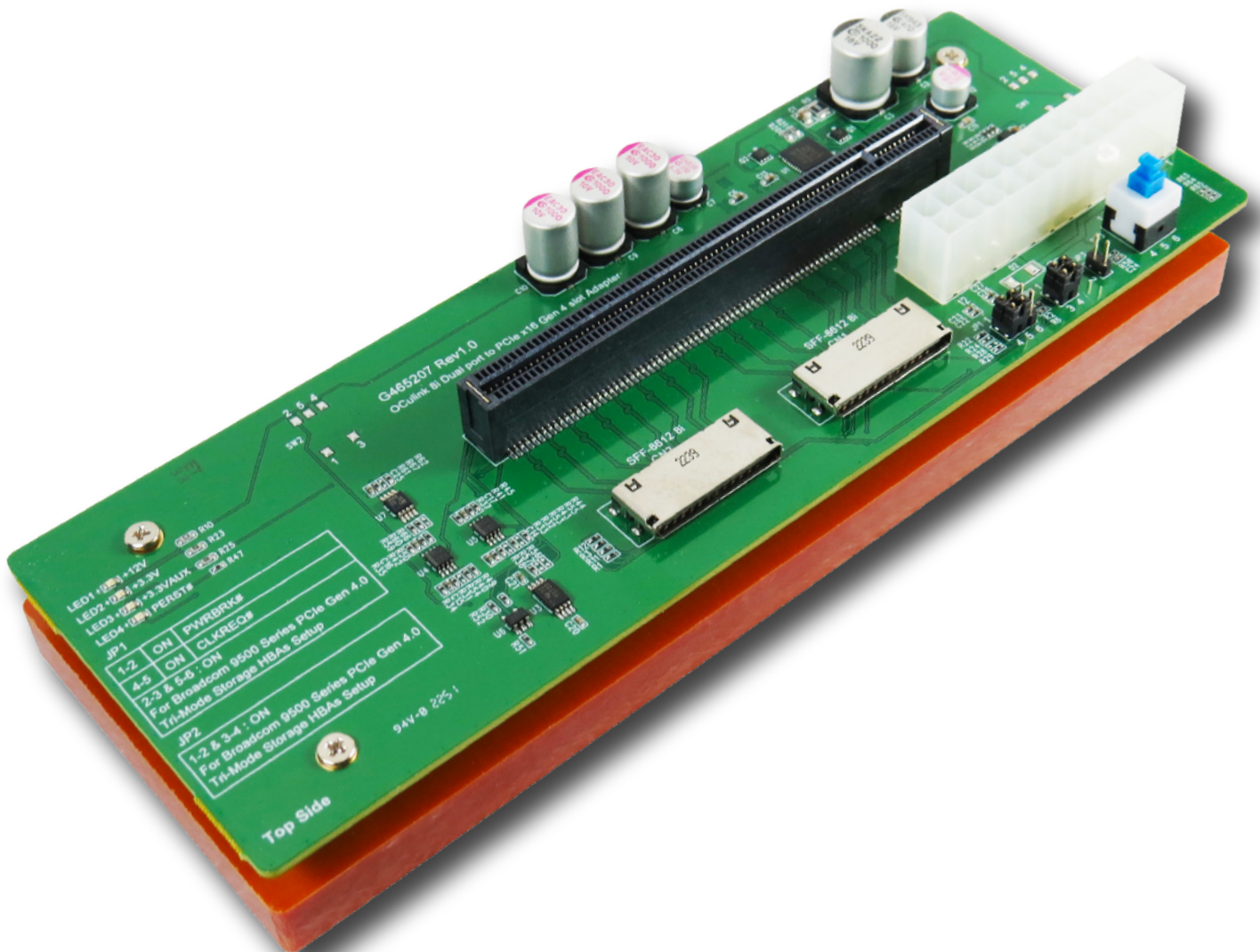


Innocard

Minerva

GD3607A

OCulink 8i Dual-Port to PCIe x16 Gen4 slot Adapter



OCulink 8i Dual-Port to PCIe x16 Gen4 slot Adapter

Features

- ※ OCulink 8i dual port to PCIe x16 signals extension
 - ※ Built-in ATX 24-pin Power supply connector
 - ◆ +5VSB Input with Bidirectional TVS(TRANSIENT VOLTAGE SUPPRESSOR)
 - ◆ Manul Switch ON or Jumper Short for ATX 24-pin Power supply ON
 - ※ Built-in OCulink 8i(SFF-8612) with 30u"(0.76um) min Au mating area plating x2 pcs
 - ※ Built-in PCIe 4.0 x16 Slot with 15 u"(0.38um) min Au mating area plating
 - ※ Built-in MAX5954A PCI Express Power Hot-Plug Controller
 - ◆ Hot Swaps +12V, +3.3V, and 3.3V Auxilliary Power Rail
 - ◆ Active Current Limiting Protects Against Overcurrent/ Short-Circuit Conditions
 - ◆ Drives two external n-channel MOSFETs to control the +12V and +3.3V main outputs
 - ※ Built-in Conductive Polymer Aluminum Solid Capacitors
- For 75W PCIe x16 Slot Power Supply Rail Requirements as follows:
- ◆ +12V Voltage Supply Current Capacitive Load : 5.5 A Current, 1470 μ F
 - ◆ +3.3 Voltage Supply Current Capacitive Load : 3 A Current, 3300 μ F
 - ◆ 3.3aux Voltage Supply Current Capacitive Load : 375 mA Current, 330 μ F
- ※ Built-in SMBus Hot Swappable 2-Wire Bus Buffer
 - ※ Built-in PCIe PERST# Bus Buffer and manul switch
 - ※ Built-in PCIe WAKE# Bidirectional Translator Bus Buffer
 - ※ Built-in PCIe CLKREQ# Bidirectional Translator Bus Buffer
 - ※ Built-in PCIe PWRBRK# Bus Buffer
 - ※ LED1 Green On indicates +12V power ready for PCIe x16 Slot
 - ※ LED2 Green On indicates +3.3V power ready for PCIe x16 Slot
 - ※ LED3 Green On indicates 3.3Vaux power ready for PCIe x16 Slot
 - ※ LED4 Green On to OFF indicates PERST# Normal (Function intentionally inverted)

Specifications

- ※ Support PCI Express Base Specification Rev 4.0
- ※ Compliant with PCIe_CEM_SPEC_R4_V1_0_08072019_NCB
- ※ Compliant with PCI_Express_OCulink_1.0a
- ※ Compliant with SFF-9402 Rev1.1

Supports the following Broadcom series products

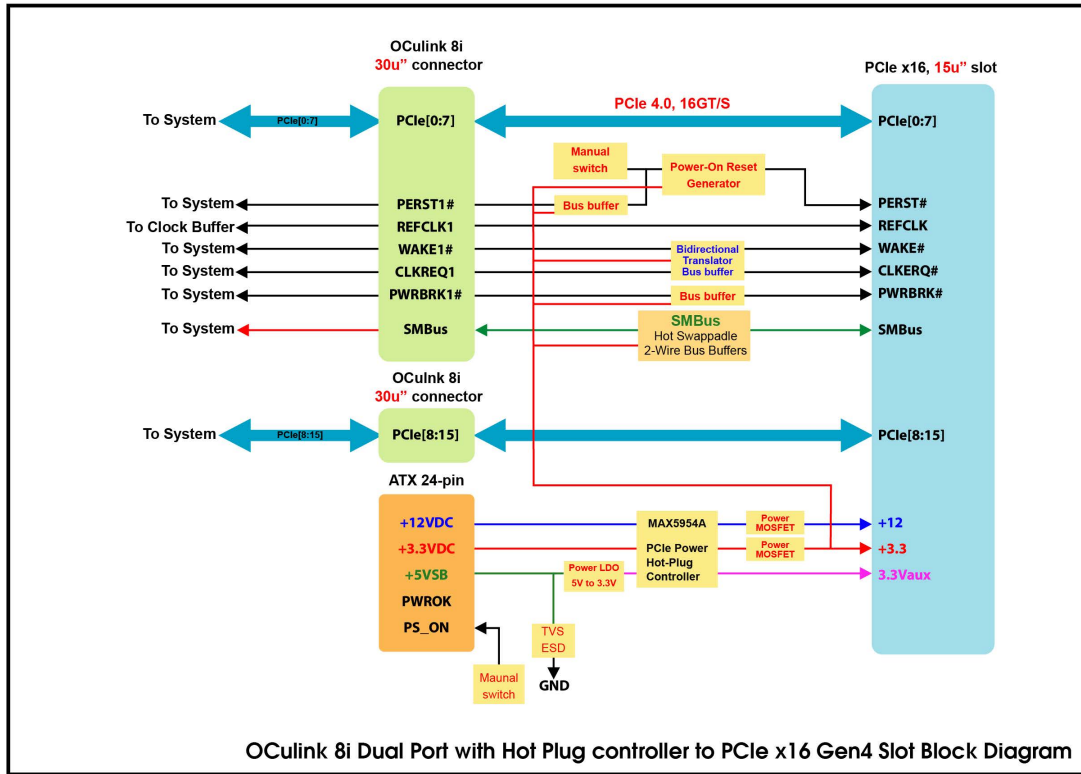
- ※ Broadcom 96xx PCIe 4.0, 24G SAS MegaRAID and eHBA Tri-Mode Storage Adapters:

MegaRAID 9670W-16i	eHBA 9620-16i
MegaRAID 9670-24i	eHBA 9600-24i
MegaRAID 9660-16i	eHBA 9600-16i
	eHBA 9600-8e8i
- ※ Broadcom 95xx PCIe 4.0 MegaRAID and HBA Tri-Mode Storage :

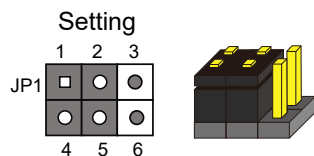
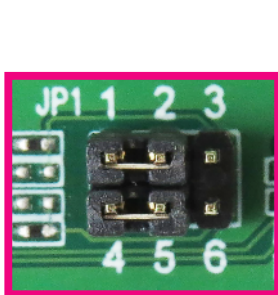
MegaRAID 9560-16i	HBA 9500-16i
MegaRAID 9560-8i	HBA 9500-8i
MegaRAID 9580-8i8e	P411W-32P

OCulink 8i Dual-Port to PCIe x16 Gen4 slot Adapter

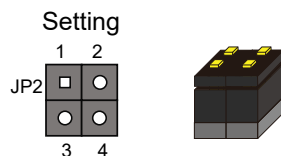
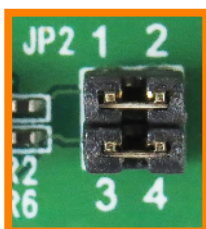
Block Diagram



The switches settings are as noted below



JP1 SETUP		Default setup	
1-2	ON		PWRBRK#
4-5	ON		CLKREQ#
2-3	ON		For Broadcom 95xx, 96xx Series PCIe Gen 4.0
5-6	ON		Tri-Mode Storage HBAs Setup



JP2 SETUP	
1-2	ON
3-4	ON

