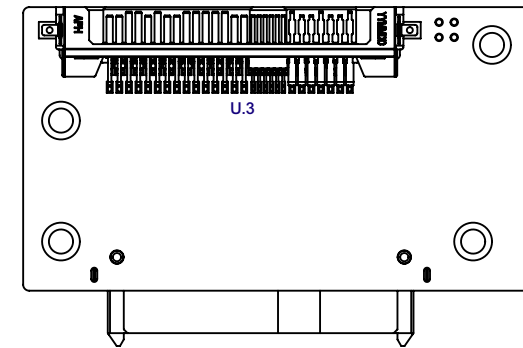
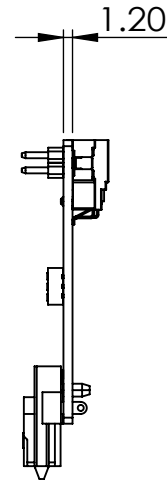


Top Side



Bottom Side

PCB Thickness : 1.2mm
 PCB length x Width : 67 X 37.5 mm

Drawn	Tina	Minerva Innovation Company				
Checked	2023-03-03	Title	Part NO.			
Approved		GD1411A	Drawing NO.			
Angle of projection		Tolerance	Scale	Sheet	Siez	Rev
			1:1			