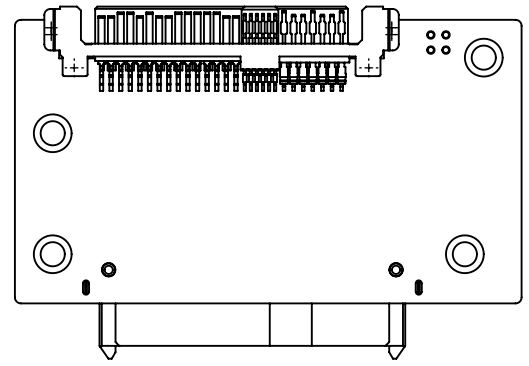
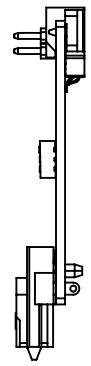



Top Side



Bottom Side

PCB Thickness : 1.6mm
 PCB length x Width : 67 X 37.5 mm

Drawn Tina		Minerva Innovation Company				
Checked 2022-07-28		Title GD1410A		Part NO.		
Approved				Drawing NO.		
Angle of projection 	Tolerance		Scale	Sheet	Siez	Rev
			1:1			