

Innocard

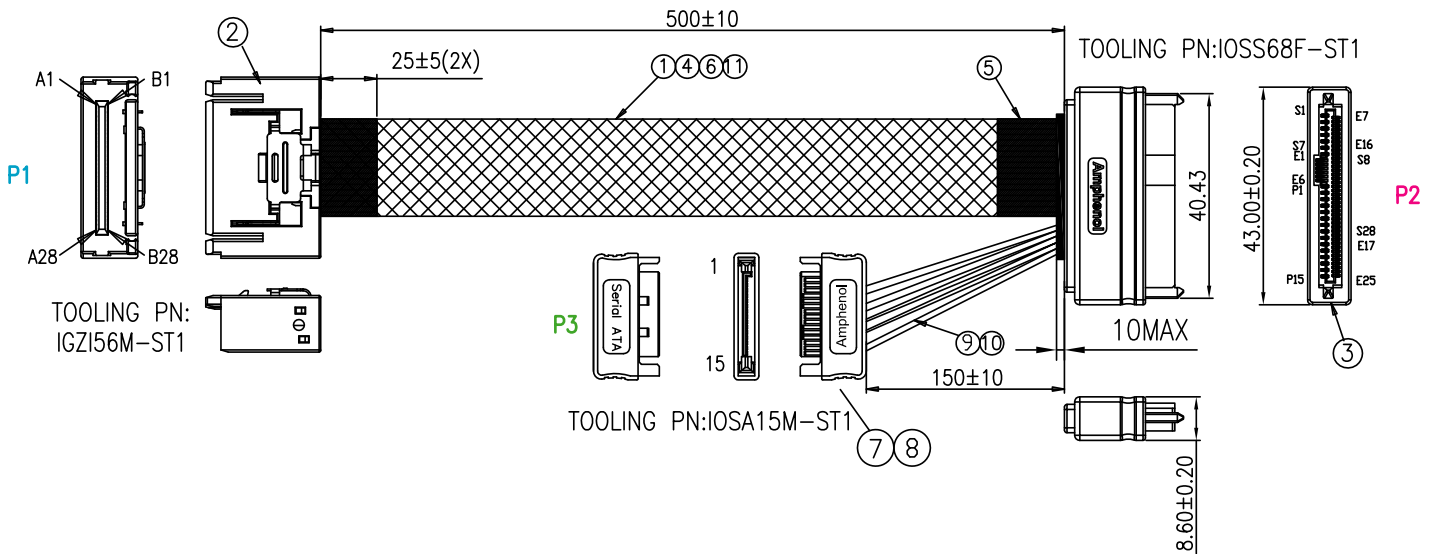
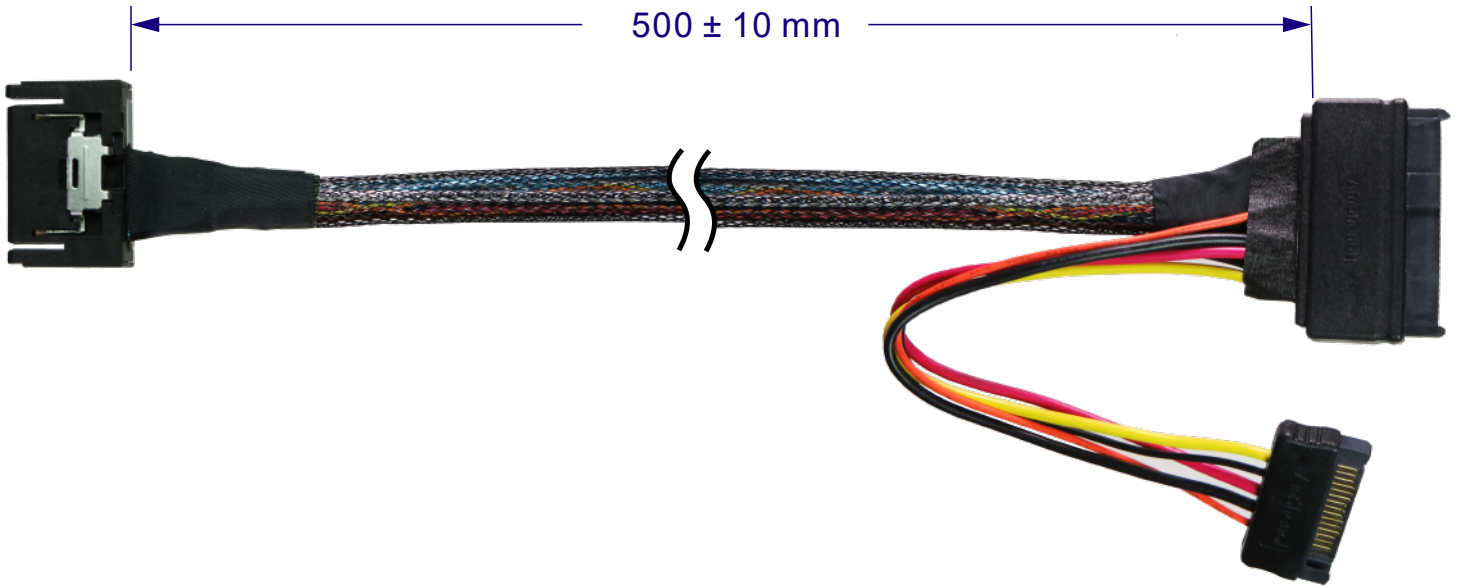
Minerva

GDC56-3201

PCIe Gen4 Gen-Z 1C (EDSFF) male to U.2 (SFF-8639) Cable



Gen-Z 1C (EDSFF) male to U.2 (SFF-8639) Cable



11	HWSS300036	SAS CBL:UL20744,30#1P+2D,VW-1,100ohm,NATURAL,HF	A/R
10	R1007024XX	WIRE,24AWG,UL1007,STRAND ED	A/R
9	R1007018XX	WIRE:18AWG,UL1007,73/0.12,OD2.1,PVC,VW-1,R2	A/R
8	RMRPV45092	PVC,45P,VO,BLACK	A/R
7	(R)10115M02	SATA CONN:15P,M,BRS,G/F OVER Ni 50u",LCP,VO,BLK,R2	1
6	HO330230CX	WIRE,30AWG,UL3302,FR-XLPE,BLK,VW-1,NO MARKING,HF	A/R
5	HMMTP000XX	TAPE:ACETATE CLOTH INSULATION,BLK,HF	A/R
4	HMTBD00501	EXPANDO TUBE:OD=5MM,BLACK,VW-1,HF	A/R
3	AST8639-001	PCIE 68POS,850HM,STR,BLACK	1
2	GZIO-56STR-01	GEN Z 1C STR LOW PROFILE IO	1
1	HWSS320006	SAS CBL:UL20744,32#2C+2D+AM+HM,BLU,850,VW-1,HF	A/R
ITEM	P/N	DESCRIPTION	QTY

Gen-Z 1C (EDSFF) male to U.2 (SFF-8639) Cable

Wire Table

P2	E3	P1	P2	P3	P4	P5	P6	P7	P8	P9			P12	P13	P14	P15	
P3	P1.P2.P3	-----				P4	P5	P6	P7	P8	P9	P10	P11	P12	P13	P14	P15
SYMBOL	3.3V	-----				GND			5V			-----	GND	12V			
WIRE AWG	24AWG	-----				18AWG			18AWG			-----	24AWG	18AWG			
WIRE COLOR	ORG	-----				BLACK			RED			-----	BLACK	YELLOW			

Pin-out assignment

P1/Gen-Z

GND	A13
REFCLK-	A14
REFCLK+	A15
GND	A16/A19
PERp0	A18
PERn0	A17
GND	A16/A22
PERp1	A21
PERn1	A20
GND	A19
PWRDIS	B12
WAKE#	B7
GND	B16
REFCLK+	B15
REFCLK-	B14
GND	B13/A25
PERp2	A24
PERn2	A23
GND	A22/A28
PERp3	A27
PERn3	A26
GND	A25
Activity	A10
CLKREQ#/PERSTB#	A11
GND	B13/B19
PETp0	B18
PETn0	B17
GND	B16/B22
PETp1	B21
PETn1	B20
GND	B19
SMBCLK	A7
SMBDAT	A8
3.3 Vaux	B11
PERST#	B10
DualPortEn#	B9
GND	B28/B25
PETp2	B24
PETn2	B23
GND	B22/B28
PETp3	B27
PETn3	B26
GND	B25
RESERVED	B21

P2/SFF-8639

E12	GND
E2	REFCLK-
E1	REFCLK+
E15	GND
E14	PERp0
E13	PERn0
E12/S22	GND
S21	PERp1
S20	PERn1
S19	GND
P3	PWRDIS
P1	WAKE#
E9	GND
E7	REFCLK+
E8	REFCLK-
S28	GND
S27	PERp2
S26	PERn2
E22/S25	GND
E21	PERp3
E20	PERn3
E19	GND
P11	Activity
E4	CLKREQ#/PERSTB#
E12	GND
E10	PETp0
E11	PETn0
E12/S16	GND
S17	PETp1
S18	PETn1
S19	GND
E23	SMBCLK
E24	SMBDAT
E3	3.3 Vaux
E5	PERST#
E25	DualPortEn#
S22	GND
S23	PETp2
S24	PETn2
S25	GND
E17	PETp3
E18	PETn3
E19	GND