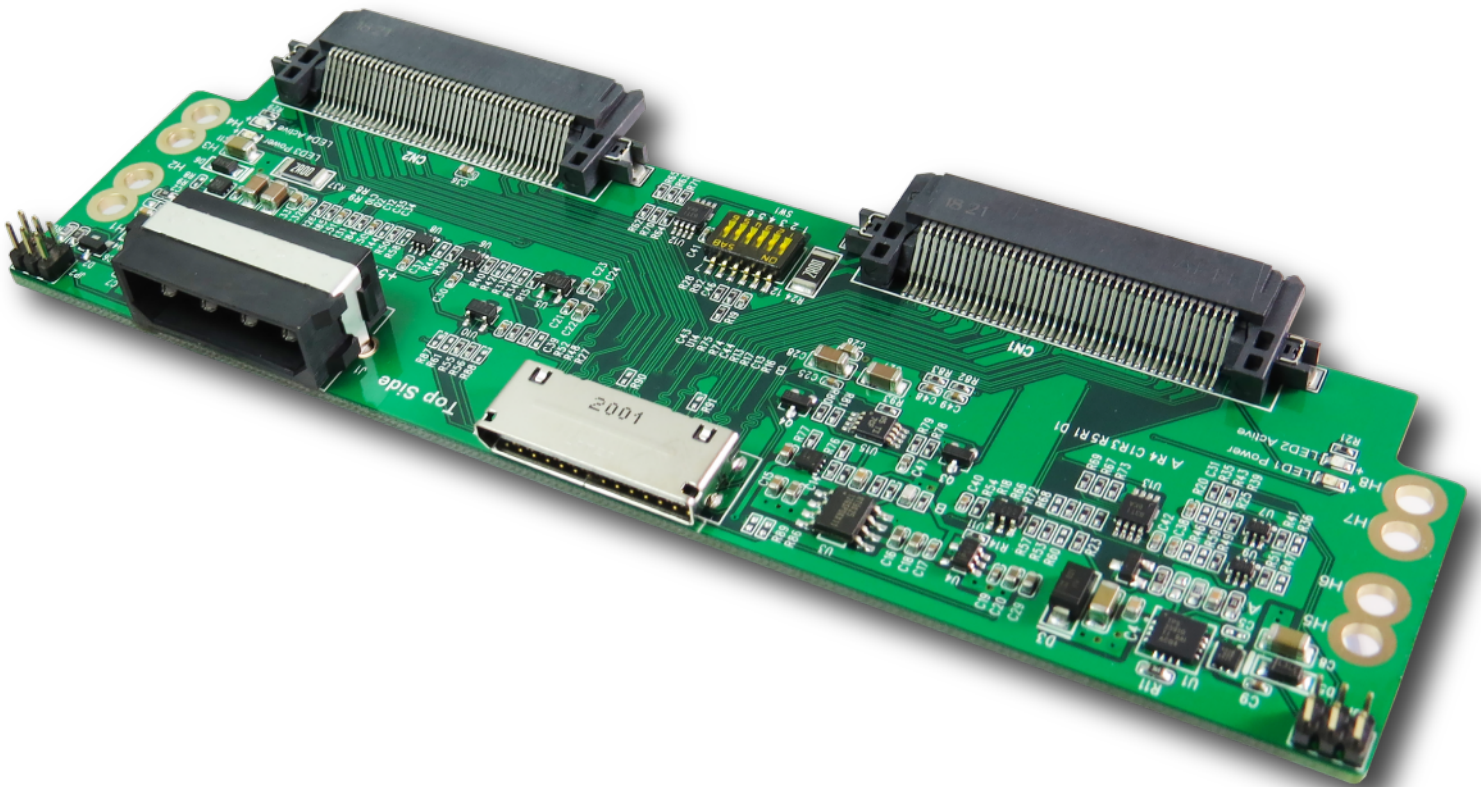




Minerva

PD896A

OCulink 8i PCIe 4.0 for U.2 Dual Ports Adapter



OCulink 8i PCIe 4.0 for U.2 Dual Ports Adapter

Features

- ※ U.2 dual ports to OCulink 8i(SFF-8612) convert
- ※ Built-in OCulink 8i connector, pin-out defined by SFF-9402 Rev1.1
- ※ Built-in two U.2 SFF-8639 connector
- ※ Built-in two 12V Hot Plug Power with eFuse protection for U.2 dual ports
 - ◆ Programmable Current Limit: 6.5A
 - ◆ Programmable Inrush Current Slew Rate
 - ◆ Thermal shutdown protection and fault alert
 - ◆ Back-to-Back (B2B) FET Operation
- ※ Supports U.2 to PCIe CLKREQ#, WAKE#
- ※ Supports U.2 PWRDIS Implementation
- ※ Built-in SMBus Hot Swappable 2-Wire Bus Buffer
- ※ Supports SlimSAS 8i BP_TYPEA, BP_TYPEB Pull up for Broadcom 95xx PCIe 4.0 MegaRAID and HBA Tri-Mode Storage Adapters
- ※ Supports SlimSAS 8i CPRSNTA#, CPRSNTB# Pull Low for Broadcom 95xx PCIe 4.0 MegaRAID and HBA Tri-Mode Storage Adapters
- ※ LED2, LED4 Green LED on indicates U.2 NVMe SSD power ready
- ※ LED1, LED3 RED LED Blinking indicates U.2 active status

Specifications

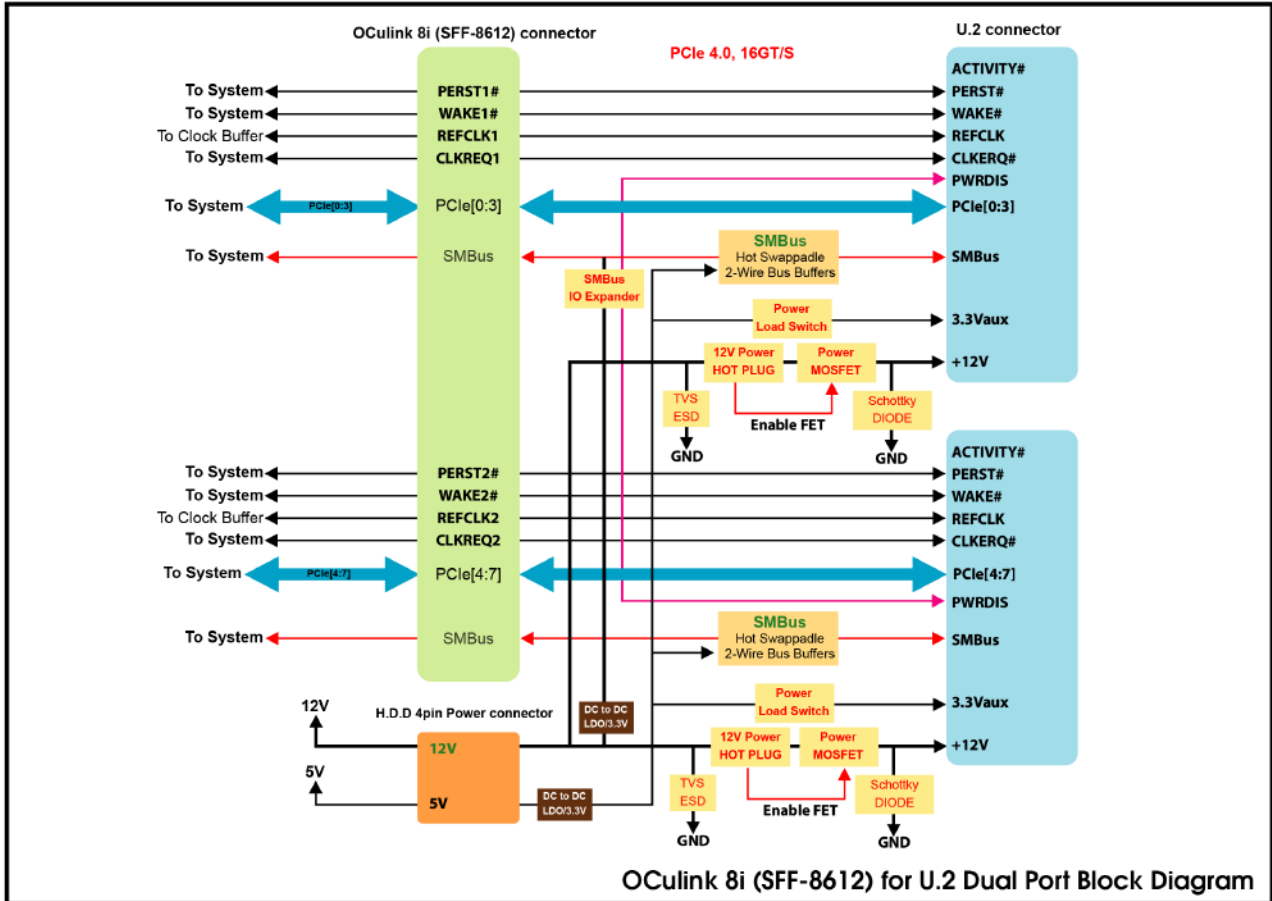
- ※ Compliant with NVM Express 1.4
- ※ Support PCI Express Base Specification Rev 4.0
- ※ Support SSD_Form_Factor_Version1_a
- ※ Compliant with PCIe_SFF-8639_R3.0_V1.0
- ※ Compliant with SFF-TA-1001 Rev1.1
- ※ Compliant with PCI_Express_OCulink_1.0
- ※ Compliant with SFF-9402 Rev1.1

Applications:

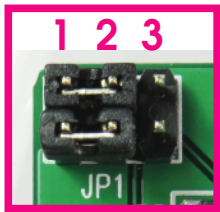
- ※ Servers
- ※ HBA(Host Bus Adapter)
- ※ Data Center
- ※ Storage Racks
- ※ Storage Controller
- ※ Servers RAIDs(Redundant Array of Independent Disks)
- ※ Routers
- ※ Switchs

OCulink 8i PCIe 4.0 for U.2 Dual Ports Adapter

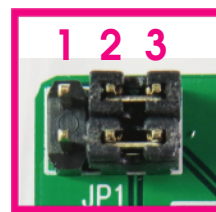
Block Diagram



GD896A JP1, JP2 & SW1 SETUP



1-2	ON	PWRBRK#@Connect PCIe B30 pin to SlimSAS 8i A8,A29 pin
4-5	ON	CLKREQ#@Connect PCIe B12 pin to SlimSAS 8i B12,B33 pin



2-3	ON	BP_TYPE A8,A29 pin pull High for Broadcom 95xx Sereis RAID Card
5-6	ON	CPRSNT# B12,B33 pin pull Low for Broadcom 95xx Sereis RAID Card



SW1 setup for PWRDIS signals

1	12	GPIO Output Low	CN1 PWRDIS -- Input High, Disable U.2 SSD 12V
2	11	SMDATA	IO Expander CN1 PWRDIS -- Input High,
3	10	SMDATB	SMDAT Disable U.2 SSD 12V
4	9	SMCLKA	IO Expander CN2 PWRDIS -- Input High,
5	8	SMCLKB	SMCLK Disable U.2 SSD 12V
6	7	GPIO Output Low	CN2 PWRDIS -- Input High, Disable U.2 SSD 12V

