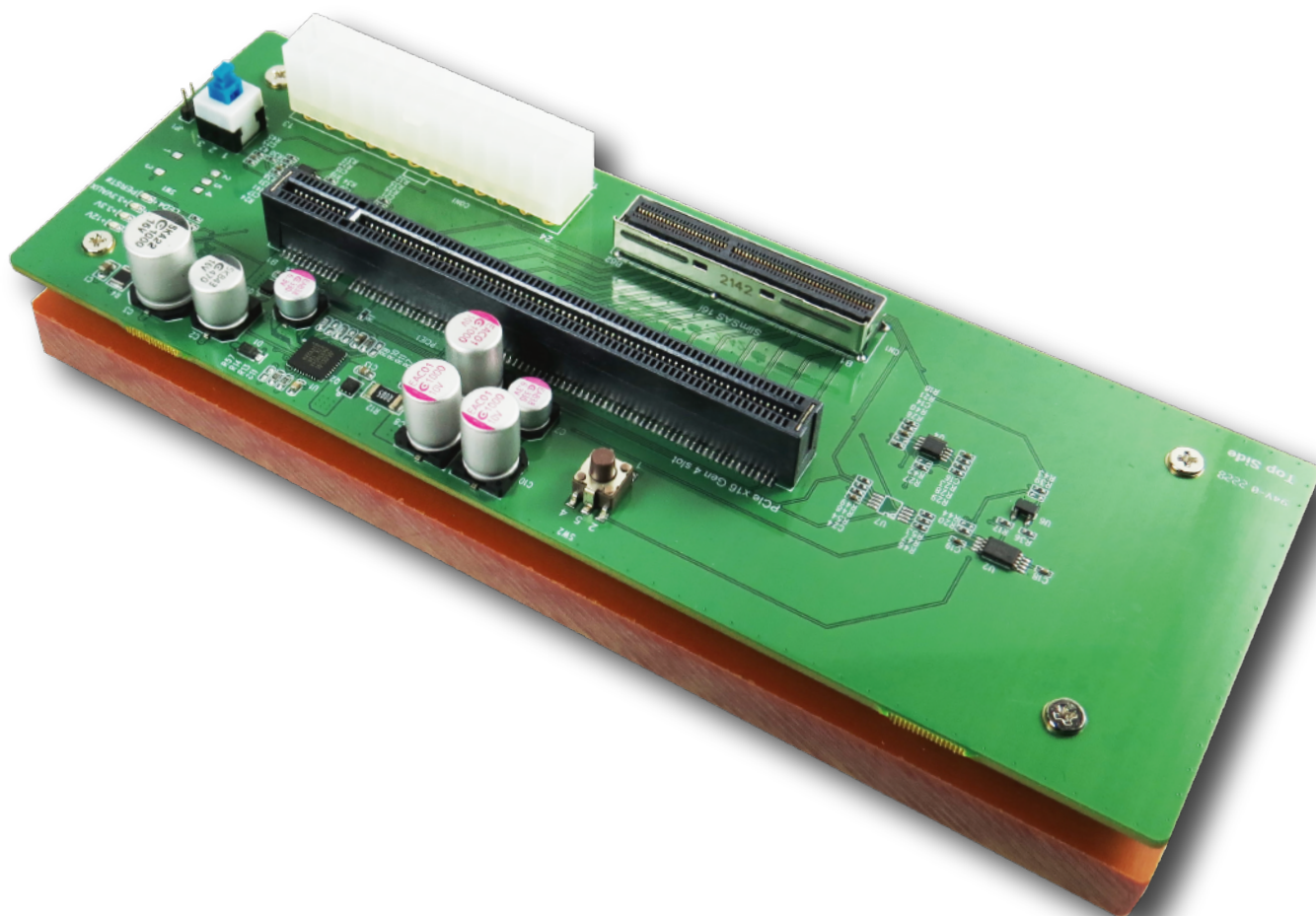




Minerva

GD9605A

SlimSAS 16i (SFF-8654) to PCIe x16 Gen4 Slot Backplane



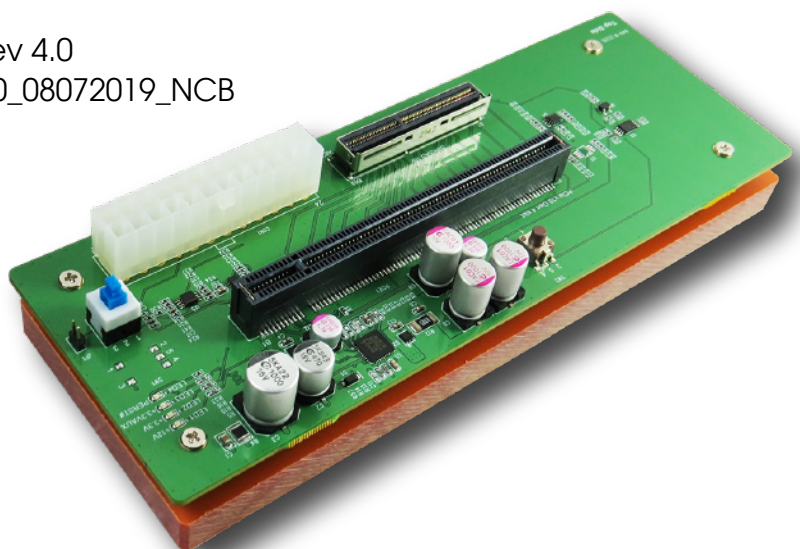
SlimSAS 16i (SFF-8654) to PCIe x16 Gen4 Slot Backplane

Features

- ※ SlimSAS 16i to PCIe x16 signals extension
- ※ Built-in ATX 24-pin Power supply connector
 - ◆ +5VSB Input with Bidirectional TVS(TRANSIENT VOLTAGE SUPPRESSOR)
 - ◆ Manul Switch ON or Jumper Short for ATX 24-pin Power supply ON
- ※ Built-in SlimSAS 16i(SFF-8654) with 30 microinches connector
- ※ Built-in PCIe x16 with 15 microinches of gold on mating end Slot
- ※ Built-in MAX5954 PCI Express Power Hot-Plug Controller
 - ◆ Hot Swaps +12V, +3.3V, and 3.3V Auxilliary Power Rail
 - ◆ Active Current Limiting Protects Against Overcurrent/ Short-Circuit Conditions
 - ◆ Drives two external n-channel MOSFETs to control the +12V and +3.3V main outputs
- ※ Built-in Conductive Polymer Aluminum Solid Capacitors
For 75W Slot Power Supply Rail Requirements as follows:
 - ◆ +12V Voltage Supply Current Capacitive Load : 5.5 A Current, 1470 μ F
 - ◆ +3.3 Voltage Supply Current Capacitive Load : 3 A Current, 3300 μ F
 - ◆ 3.3aux Voltage Supply Current Capacitive Load : 375 mA Current, 330 μ F
- ※ Built-in SMBus Hot Swappable 2-Wire Bus Buffer
- ※ Built-in PCIe PERST# Bus Buffer and manul switch
- ※ Built-in PCIe WAKE# Bidirectional Translator Bus Buffer
- ※ Built-in PCIe CLKREQ# Bidirectional Translator Bus Buffer
- ※ Built-in PCIe PWRBRK# Bus Buffer
- ※ LED1 Green On indicates +12V power ready for PCIe x16 Slot
- ※ LED2 Green On indicates +3.3V power ready for PCIe x16 Slot
- ※ LED3 Green On indicates 3.3Vaux power ready for PCIe x16 Slot
- ※ LED4 Red On to OFF indicates PERST# Normal (Function intentionally inverted)

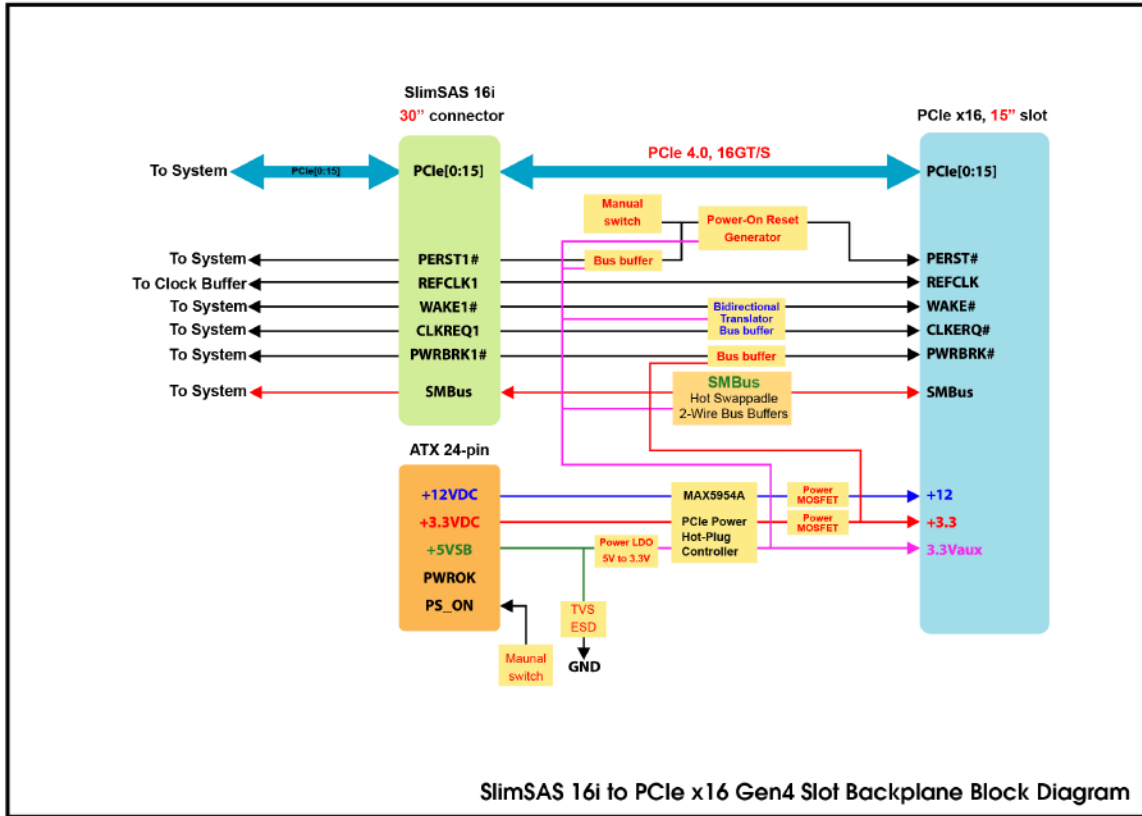
Specifications

- ※ Support PCI Express Base Specification Rev 4.0
- ※ Compliant with PCIe_CEM_SPEC_R4_V1_0_08072019_NCB
- ※ Compliant with SFF-8654 Rev1.2
- ※ Compliant with SFF-9402 Rev1.1



SlimSAS 16i (SFF-8654) to PCIe x16 Gen4 Slot Backplane

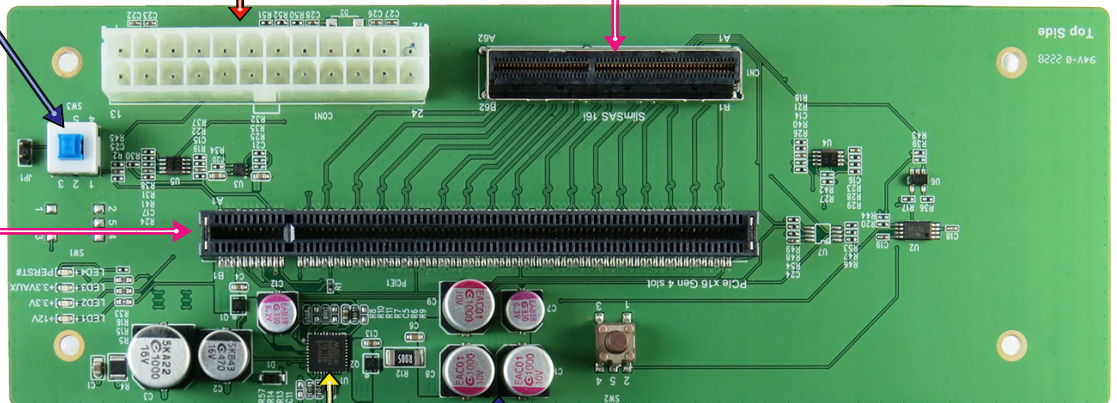
Block Diagram



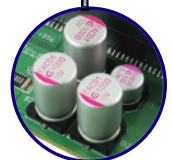
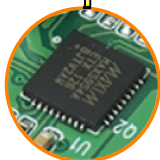
Input Power Switch ON/OFF

ATX 24 pin Power Supply input SlimSAS 16i connector

Plug into PCIE1



12V, 3.3V, 3.3Vaux Hot plug controller Power IC



Conductive Polymer Aluminum Solid Capacitors