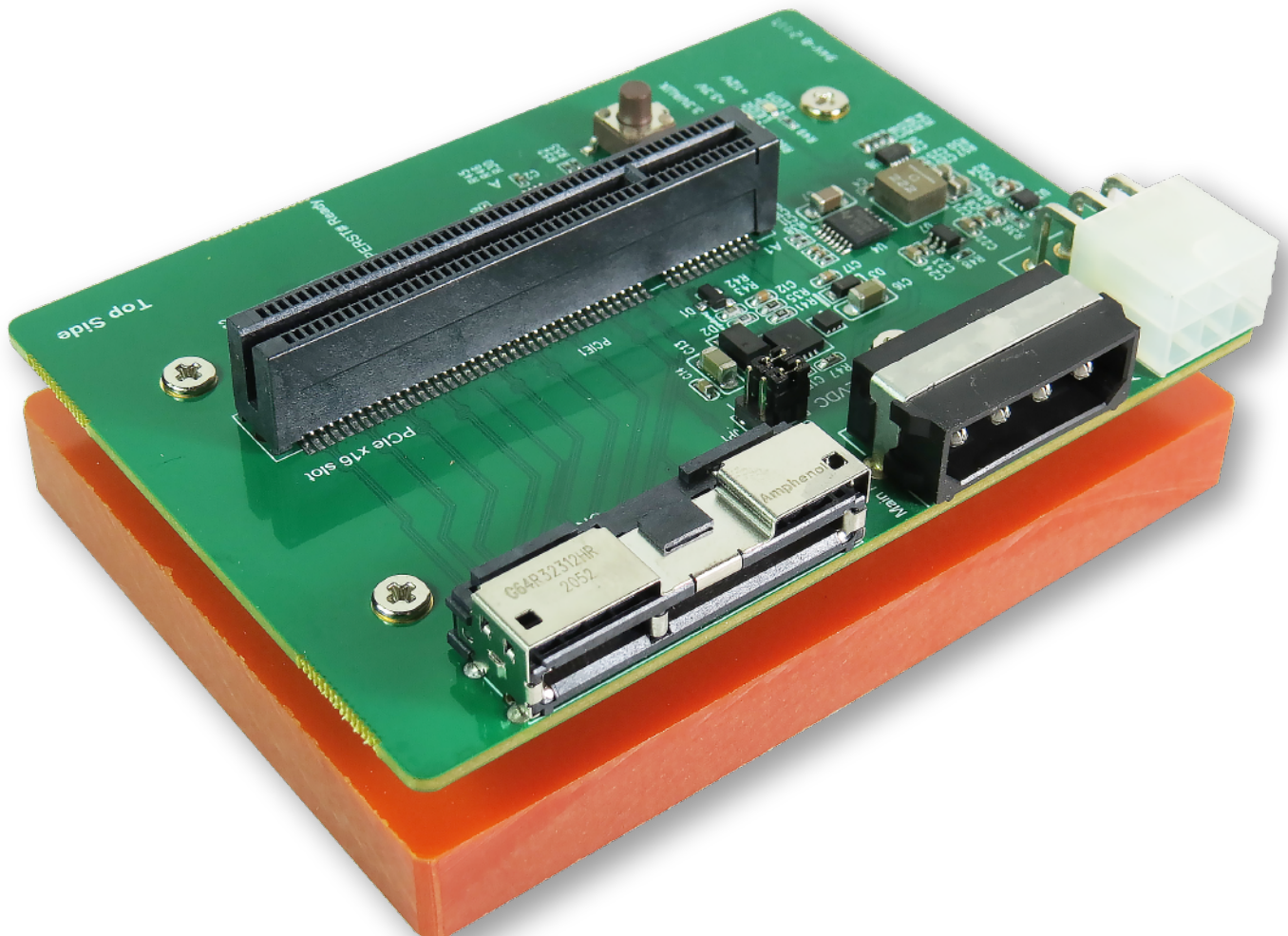


Innocard

Minerva

GD7803A

Gen-Z 2C (EDSFF) to *PCIe Gen 4* x8 Slot Adapter



Gen-Z 2C (EDSFF) to *PCIe Gen 4* x8 Slot Adapter

Features

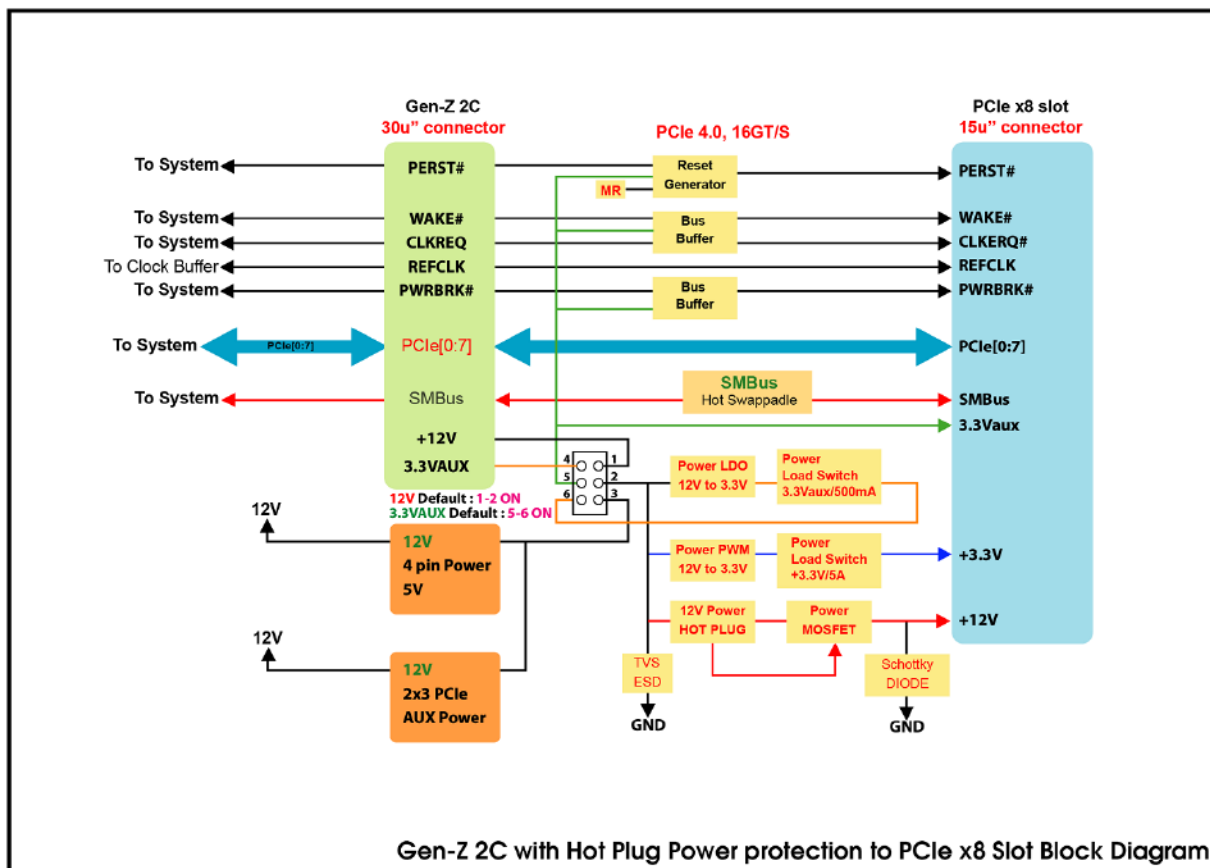
- ※ Gen-Z 2C(EDSFF) to PCIe x8 convert
- ※ Built-in Gen-Z 2C, 30u" connector
- ※ Built-in PCIe x8, 15u" Slot
- ※ Built-in PCIe PERST# Bus Buffer
- ※ Support PCIe PERST# manual reset & generator
- ※ Built-in PCIe WAKE# Bus Buffer
- ※ Built-in PCIe CLKREQ# Bus Buffer
- ※ Built-in SMBus Hot Swappable 2-Wire Bus Buffer
- ※ Supports I/O card insertion into a live PCIe Slot without corruption of the data and clock busses
- ※ Built-in +12V Hot Plug Power with eFuse protection for PCIe +12V
 - ◆ Programmable Current Limit: 6.5A
 - ◆ Programmable Inrush Current Slew Rate
 - ◆ Thermal shutdown protection and fault alert
 - ◆ Back-to-Back (B2B) FET Operation
- ※ Built-in 12V input with 400W TVS(Transient Voltage Suppressor) ESD protection
- ※ Built-in 12V output with 30-V, N channel NexFET power MOSFET, 32 m ohm
- ※ Built-in 12V output with Schottky Barrier Power Rectifier
- ※ PWM synchronous 12V to 3.3V buck converter Power
 - ◆ 4A maximum output current
 - ◆ Over Current Protection
 - ◆ Under Voltage Protection
 - ◆ Under voltage lock out protection (UVLO) monitors
 - ◆ Thermal shutdown protection
 - ◆ ESD Human Body Mode(HBM)/2KV
- ※ Built-in 3.3V Power Load Switch for PCIe +3.3V
- ※ 12V to 3.3V LDO buck converter Power
- ※ Built-in 3.3V Power Load Switch for PCIe 3.3Vaux
- ※ LED1 PCIe +12V power ready
- ※ LED2 PCIe +3.3V power ready
- ※ LED3 PCIe 3.3Vaux power ready

Specifications

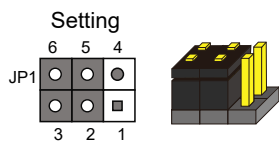
- ※ Support PCI Express Base Specification Rev 4.0
- ※ Compliant with PCIe_CEM_SPEC_R4_V1_0_08072019_NCB
- ※ Compliant with SFF-TA-1002 Rev1.3
- ※ Compliant with SFF-TA-1009 Rev3.0

Gen-Z 2C (EDSFF) to PCIe Gen 4 x8 Slot Adapter

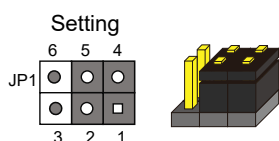
Block Diagram



GD7803A Jumper Application



5-6	ON	from external 3.3VAUX
2-3	ON	from external 12V



1-2	ON	from Gen-Z 2C 12V
4-5	ON	from Gen-Z 2C 3.3VAUX

