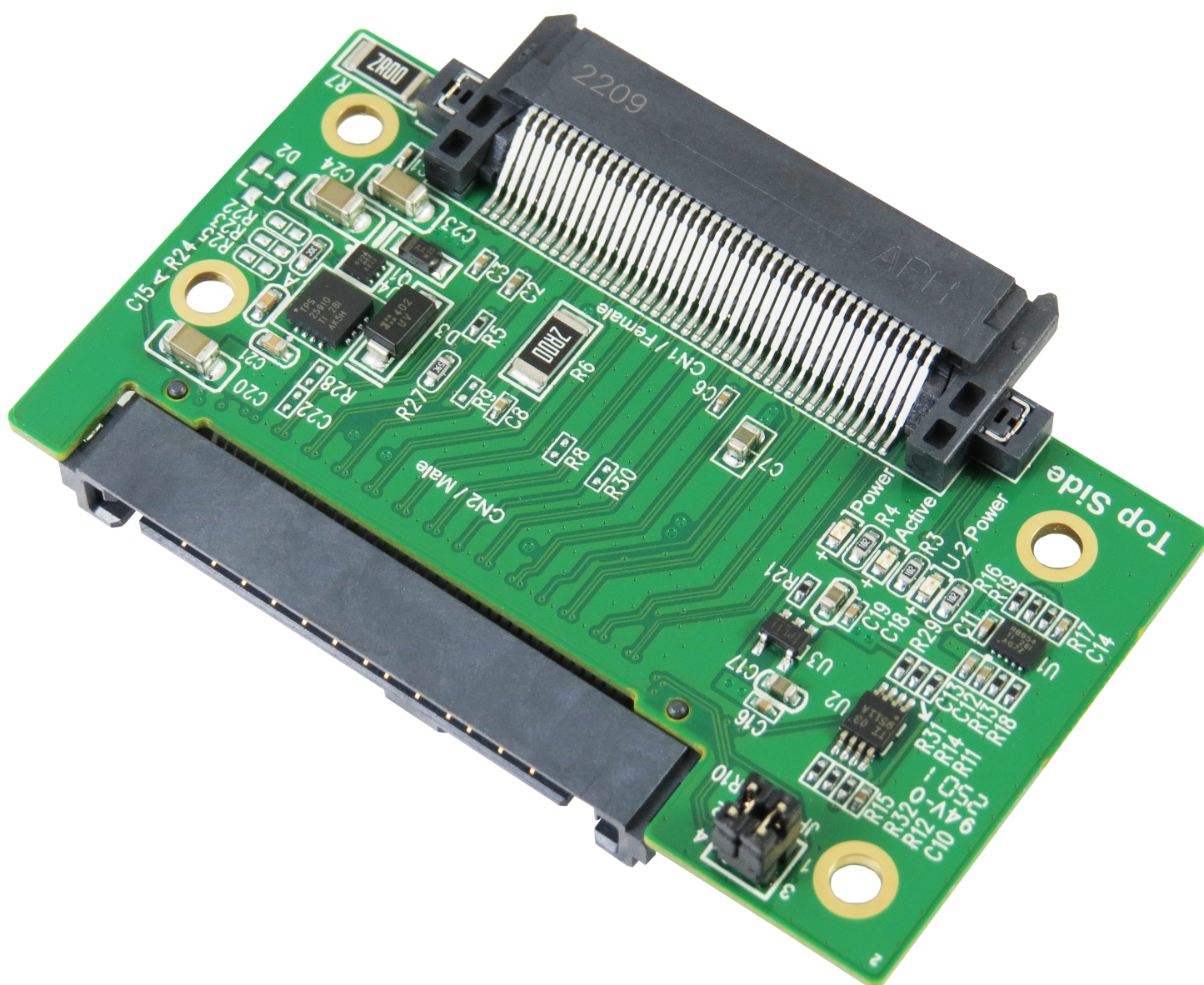




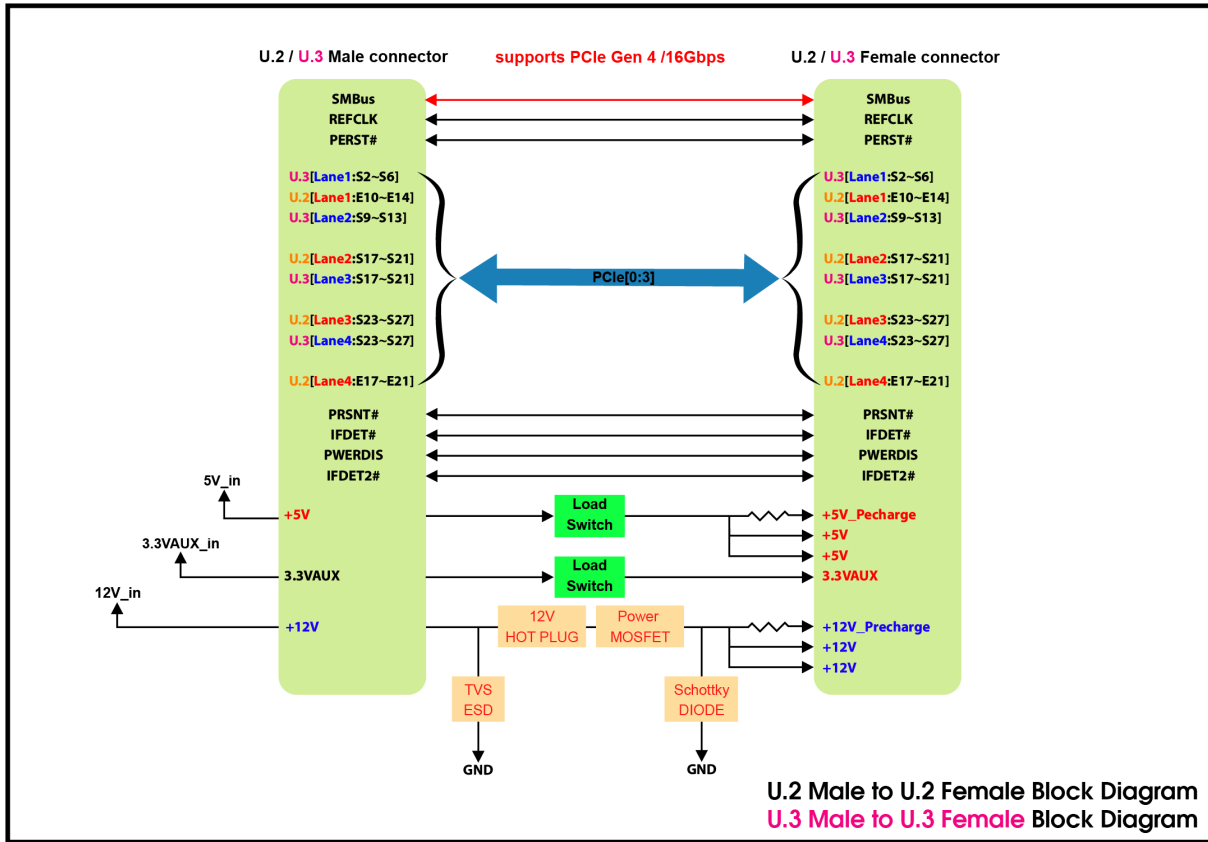
# Minerva

## GD1406A

**U.3 Male to U.3 Female for *PCIe 4.0, 16GT/s* Adapter**



# U.3 Male to U.3 Female for PCIe 4.0, 16GT/s Adapter



## Features

- ※ Built-in SFF-8639 Male connector
- ※ Built-in SFF-8639 Female connector
- ※ Built-in power 12V Hot Plug Power protection IC, can support a maximum continuous current of 6.5A
- ※ Built-in power 5V Load Switch with controlled turn on, can support a maximum continuous current of 5A
- ※ Built-in power 3.3VAUX Load Switch with controlled turn on, can support a maximum continuous current of 500mA
- ※ Supports CLKREQ#, WAKE#, PWRDIS
- ※ Supports SMB\_CLK, SMB\_DATA
- ※ LED1 Green LED on indicates U.2 SSD power ready
- ※ LED2 Green LED on indicates SATA SSD power ready
- ※ LED3 RED LED Blinking indicates SSD active status

## Specifications

- ※ Compliant with NVM Express 1.3a
- ※ Support PCI Express Base Specification Rev 4.0
- ※ Support SSD\_Form\_Factor\_Version1\_a
- ※ Compliant with PCIe SFF-8639 Module Specification Rev 3.0
- ※ Compliant with SFF-TA-1001 Rev1.1