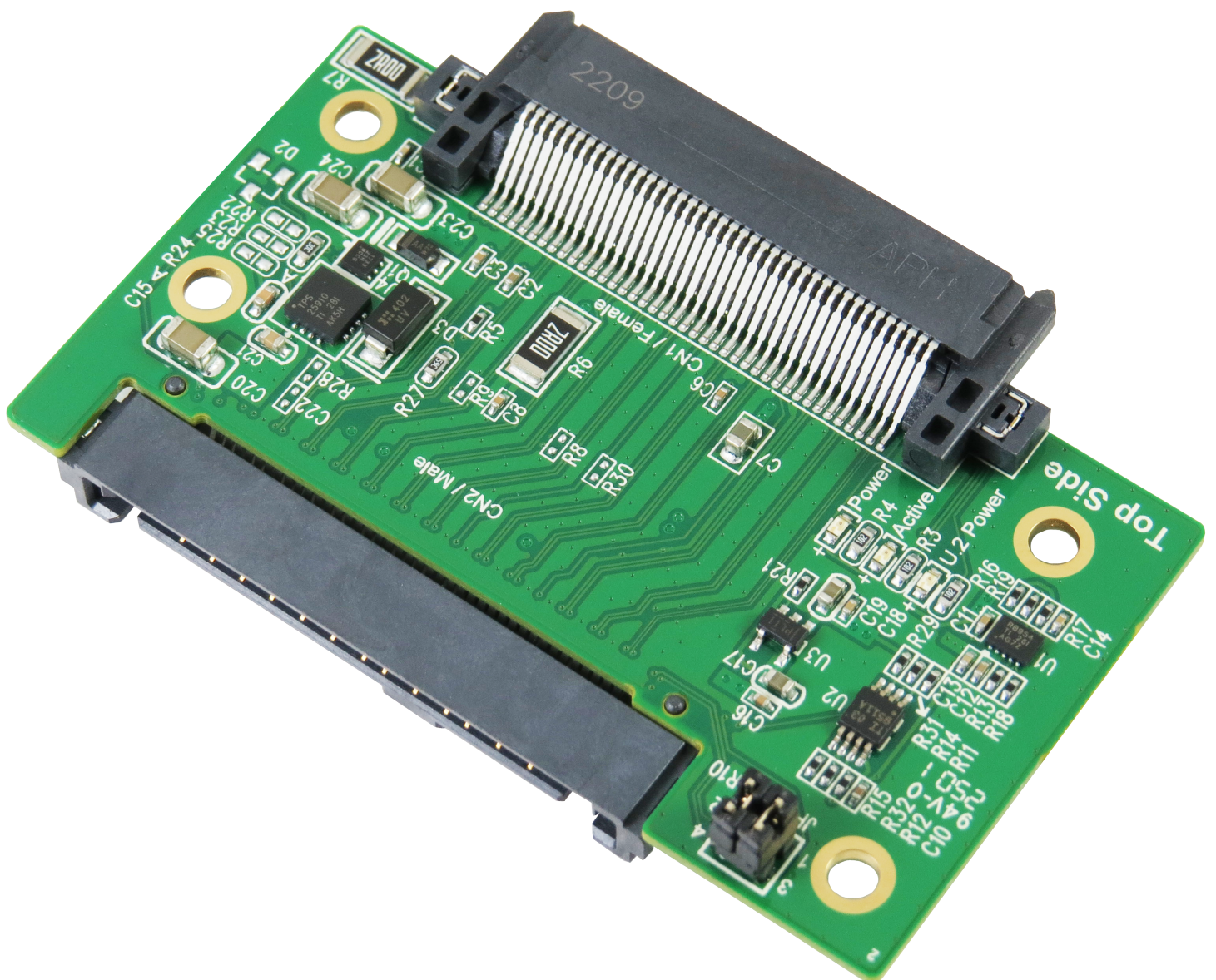


Innocard

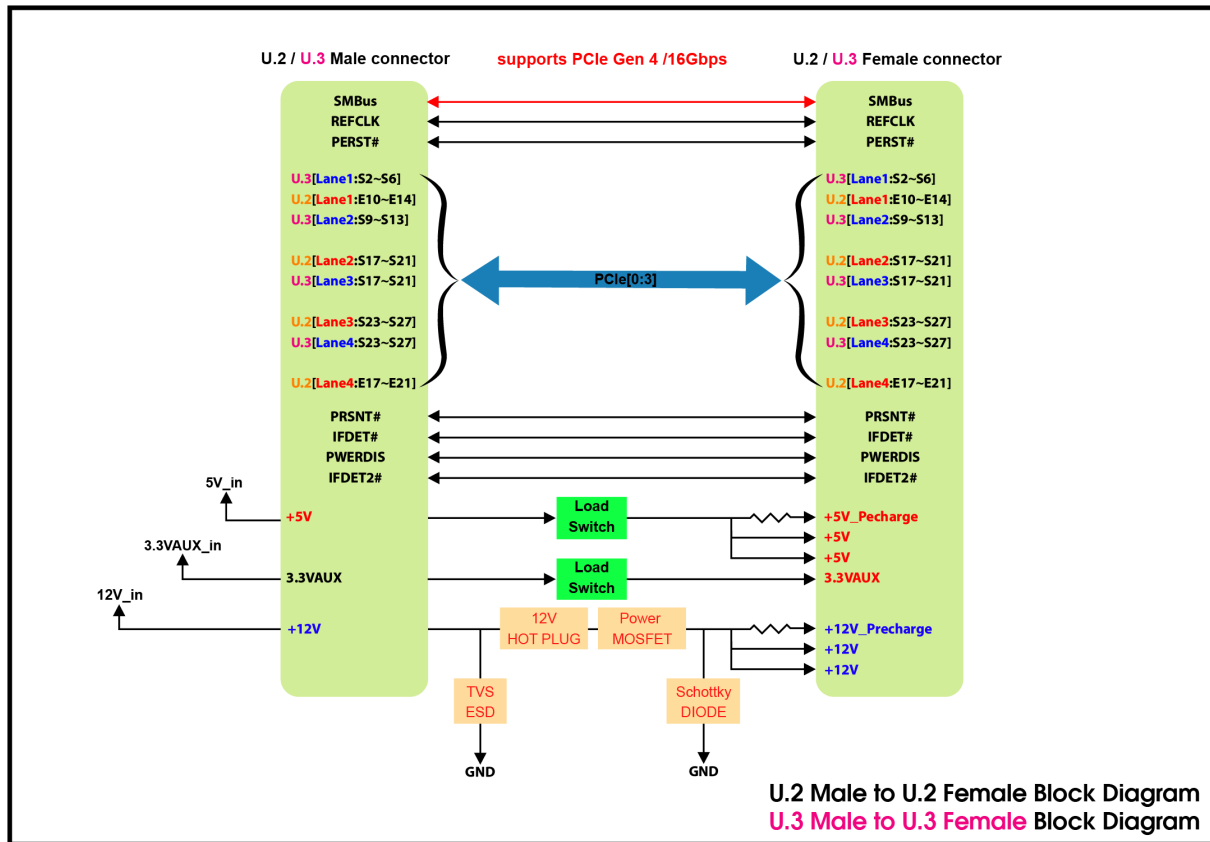
Minerva

GD1406A

U.2 Male to U.2 Female for *PCIe 4.0, 16GT/s* Adapter



U.2 Male to U.2 Female for *PCIe 4.0, 16GT/s* Adapter



Features

- ※ Built-in SFF-8639 Male connector
- ※ Built-in SFF-8639 Female connector
- ※ Built-in power 12V Hot Plug Power protection IC, can support a maximum continuous current of 6.5A
- ※ Built-in power 5V Load Switch with controlled turn on, can support a maximum continuous current of 5A
- ※ Built-in power 3.3VAUX Load Switch with controlled turn on, can support a maximum continuous current of 500mA
- ※ Supports CLKREQ#, WAKE#, PWRDIS
- ※ Supports SMB_CLK, SMB_DATA
- ※ LED1 Green LED on indicates U.2 SSD power ready
- ※ LED2 Green LED on indicates SATA SSD power ready
- ※ LED3 RED LED Blinking indicates SSD active status

Specifications

- ※ Compliant with NVM Express 1.3a
- ※ Support PCI Express Base Specification Rev 4.0
- ※ Support SSD_Form_Factor_Version1_a
- ※ Compliant with PCIe SFF-8639 Module Specification Rev 3.0
- ※ Compliant with SFF-TA-1001 Rev1.1