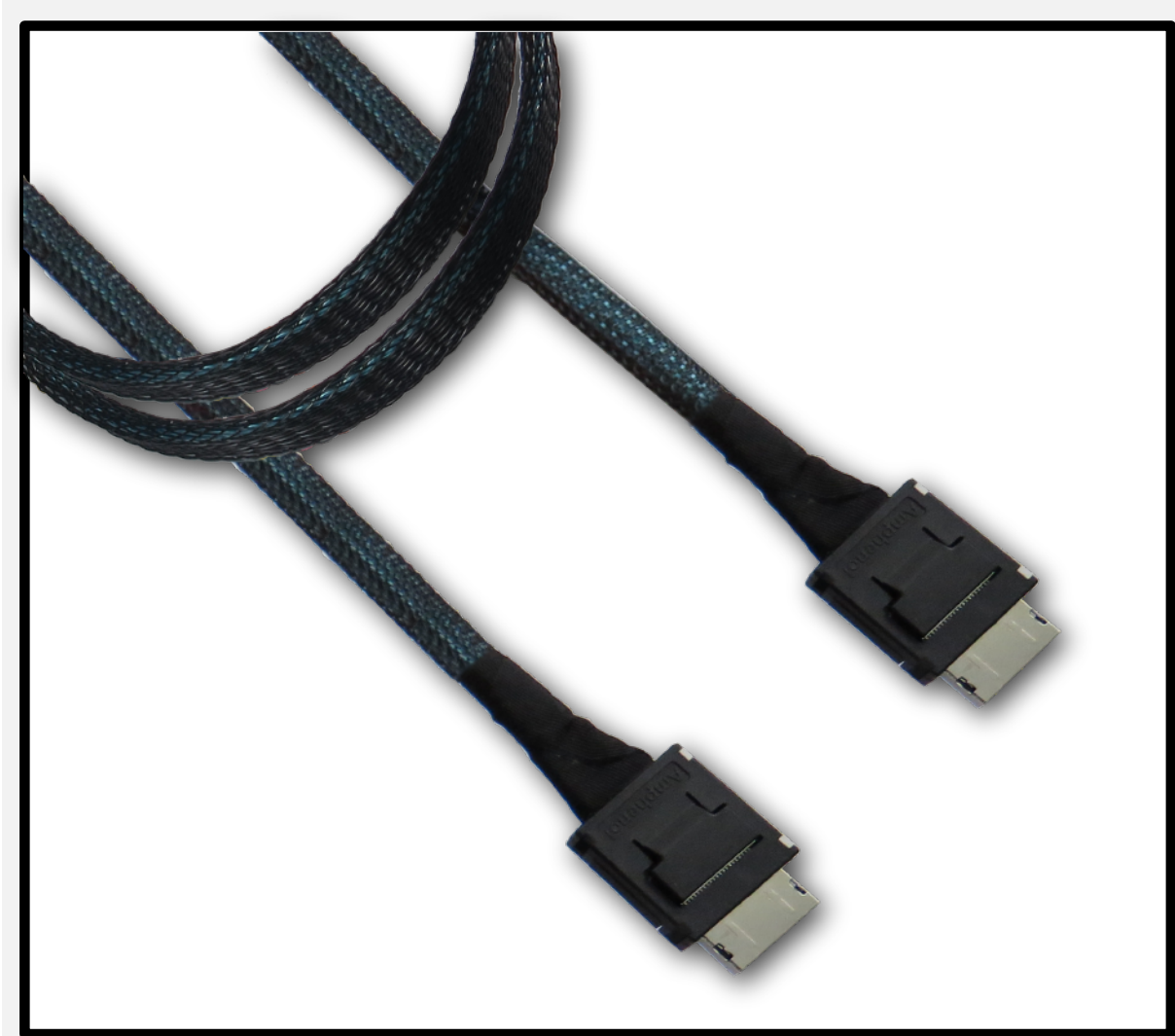


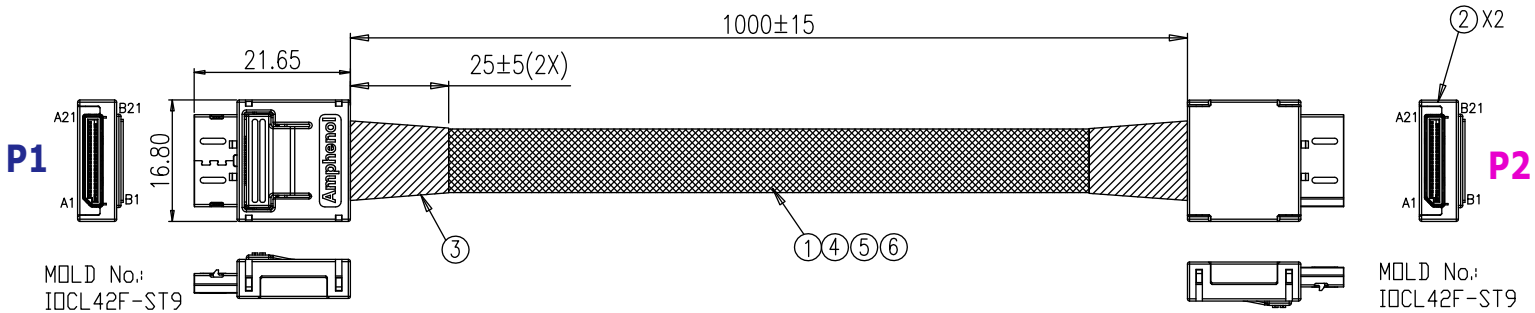
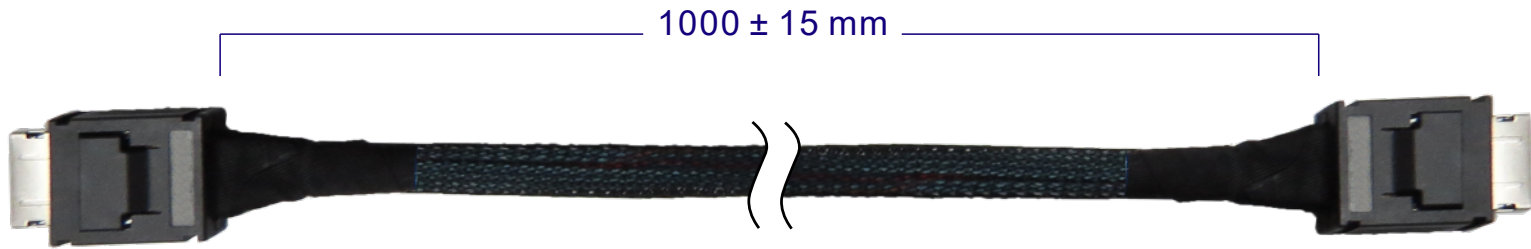
Innocard

# Minerva

**GDC42-6602 (PCIe Gen-4)**  
OCulink (SFF-8611) 4-Lane Cable /100cm



# OCulink (SFF-8611) 4-Lane Cable / 100cm



6	HWSS310022	SAS CBL:UL20744,31#1P+2D+AM+HM,SILVER PLATED,BLU,1000HM,VW-1,24G,HF	A/R
5	HO330230CX	WIRE,30AWG,UL3302,ODO.55,FR-XLPE,VW-1,NO MARKING,HF	A/R
4	HMTBDOXXX	EXPANDO TUBE,BLACK,VW-1,HF	A/R
3	HMMTP00XXX	TERYLENE CLOTH TAPE,T=0.11mm,BLK,HF	A/R
2	OCL42-0012	OCulink 4i STR with Active Latch,Black,V0,85ohms	2
1	HWSS300076	SAS CBL:UL20744,30#1P+2D,Silver plated,VW-1,850HM,YEL,24G,HF	A/R
ITEM	P/N	DESCRIPTION	QTY

# OCulink (SFF-8611) 4-Lane Cable / 100cm

## Pin-out assignment

SFF-8611	P1		P2	SFF-8611
RESERVED	A1			
GROUND	A2		B2	GROUND
PERp0	A3		B3	PETp0
PERn0	A4		B4	PETn0
GROUND	A5		B5	GROUND
PERp1	A6		B6	PETp1
PERn1	A7		B7	PETn1
GROUND	A8		B8	GROUND
BP TYPE	A9		B9	BP TYPE
CWAKE#	A10		B10	CWAKE#
GROUND	A11		B11	GROUND
VSP	A12		B12	VSP
VSP	A13		B13	VSP
GROUND	A14		B14	GROUND
PERp2	A15		B15	PETp2
PERn2	A16		B16	PETn2
GROUND	A17		B17	GROUND
PERp3	A18		B18	PETp3
PERn3	A19		B19	PETn3
GROUND	A20		B20	GROUND
RESERVED	A21		A21	RESERVED
RESERVED	B1		B1	RESERVED
GROUND	B2		A2	GROUND
PETp0	B3		A3	PERp0
PETn0	B4		A4	PERn0
GROUND	B5		A5	GROUND
PETp1	B6		A6	PERp1
PETn1	B7		A7	PERn1
GROUND	B8		A8	GROUND
2-WIRE CLOCK	B9		A9	2-WIRE CLOCK
2-WIRE DATA	B10		A10	2-WIRE DATA
GROUND	B11		A11	GROUND
PERST#	B12		A12	PERST#
CPRSNT#	B13		A13	CPRSNT#
GROUND	B14		A14	GROUND
PETp2	B15		A15	PERp2
PETn2	B16		A16	PERn2
GROUND	B17		A17	GROUND
PETp3	B18		A18	PERp3
PETn3	B19		A19	PERn3
GROUND	B20		A20	GROUND
RESERVED	B21			