

Innocard

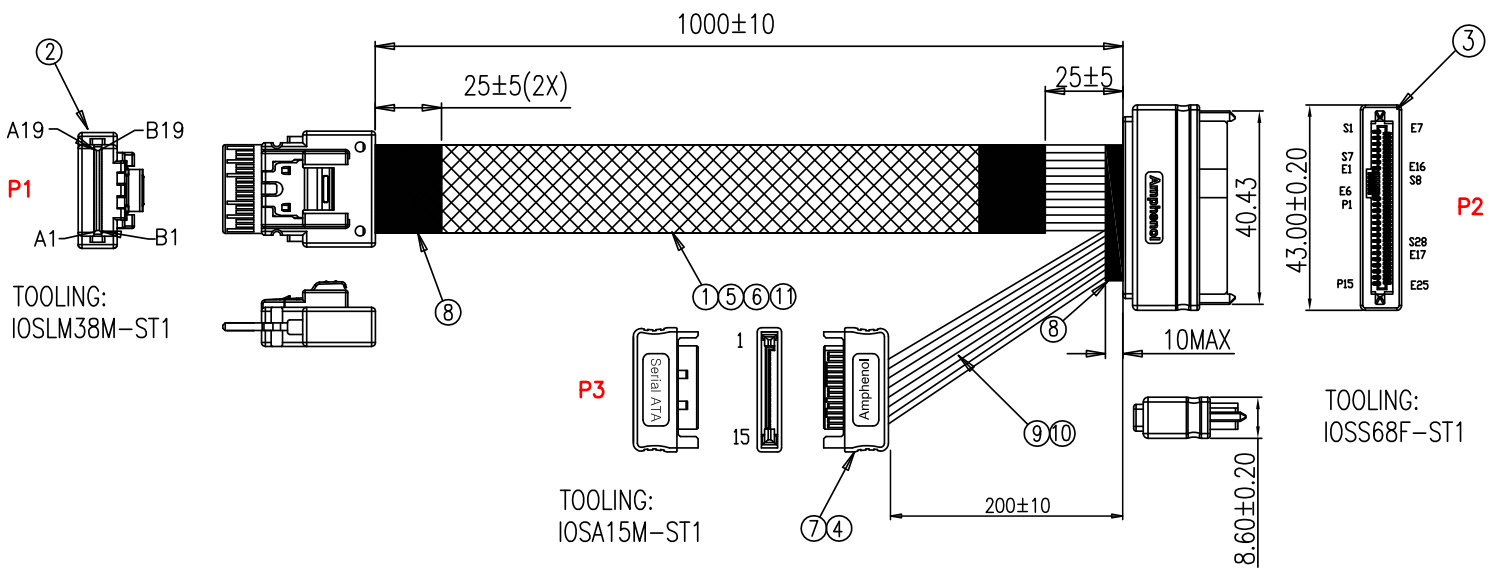
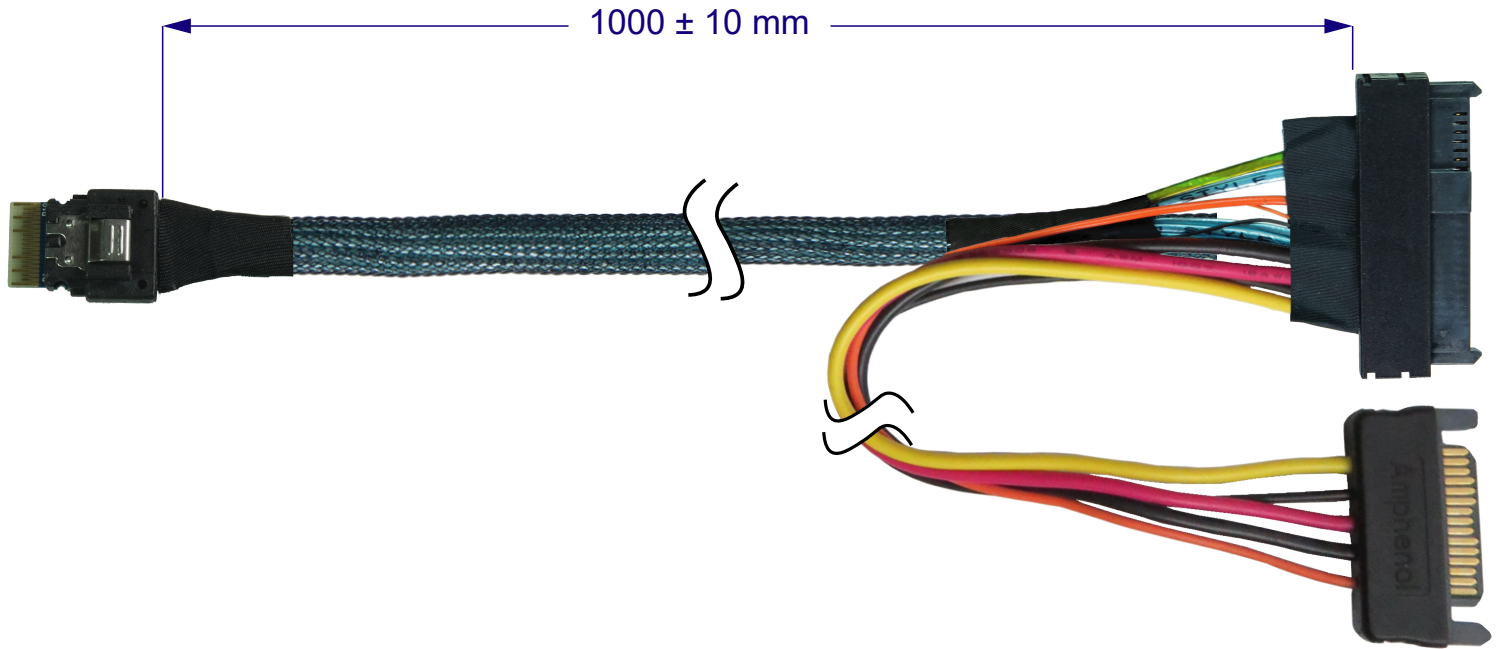
# Minerva

**GDC38-8203**

**PCIe Gen4 SlimSAS 4i (SFF-8654) to U.2 (SFF-8639) Cable**  
Length : 100cm



# PCIe Gen4 SlimSAS to U.2 (SFF-8639) cable/100cm



11	HWSS300070	SAS CBL:UL20744,30#1P+2D,SILVER PLATED,VW-1,100ohm,YEL,24G,HF	A/R
10	R10070240X	WIRE,24AWG,UL1007,STRANDED	A/R
9	R10070180X	WIRE:18AWG,41C,UL1007	A/R
8	HMMTPXXXX	TAPE,BLK,HF	A/R
7	(R)10115M02	SATA CONN:15P,M,BRS,G/F,LCP,V0,BLK	1
6	HMTBD00501	EXPANDO TUBE:OD=5MM,BLACK,VW-1,HF	A/R
5	H0330230CX	WIRE,30AWG,UL3302,OD0.55,FR-XLPE,VW-1,NO MARKING,HF	A/R
4	RMRPV45092	PVC,45P,V0,BLACK	A/R
3	AST8639-001	PCIE 68POS CONN,STR,BLACK,Au15u" (HEPCBA0372)	1
2	AST8654-0038-01	4X SLIMSAS PLUG STR CONNECTOR	1
1	RWSS300158-L2	SAS CBL:30#2C+2D+A+HM,SILVER,85ohm,PP,BLU,VW-1,16G,CATB,R2	A/R
ITEM	P/N	DESCRIPTION	QTY

## PCIe Gen4 SlimSAS to U.2 (SFF-8639) cable/100cm

### Wire Table

<b>P2</b>	E3	P1	P2	P3	P4	P5	P6	P7	P8	P9			P12	P13	P14	P15	
<b>P3</b>	P1.P2.P3	-----				P4	P5	P6	P7	P8	P9	P10	P11	P12	P13	P14	P15
<b>SYMBOL</b>	3.3V	-----				GND			5V			GND		12V			
<b>WIRE AWG</b>	24AWG	-----				18AWG			18AWG			24AWG		18AWG			
<b>WIRE COLOR</b>	ORG	-----				BLACK			RED			BLACK		YELLOW			

### Pin-out assignment

#### P1/SFF-8654

#### P2/SFF-8639

GND	B19			E19	GND
PETn3	B18			E18	PETn3
PETp3	B17			E17	PETp3
GND	B16			S25/S28	GND
PETn2	B15			S24	PETn2
PETp2	B14			S23	PETp2
GND	B13			S22	GND
CPRSNT#(VSP)	B12				
PERST#(VSP)	B11			E5	PERST#
GND	B10				
2W-DATA	B9			E24	2W-DATA
2W-CLK	B8			E23	2W-CLK
GND	B7			S19	GND
PETn1	B6			S18	PETn1
PETp1	B5			S17	PETp1
GND	B4			E12/S16	GND
PETn0	B3			E11	PETn0
PETp0	B2			E10	PETp0
GND	B1			E9	GND
GND	A19			E19	GND
PERn3	A18			E20	PERn3
PERp3	A17			E21	PERp3
GND	A16			E22/S25	GND
PERn2	A15			S26	PERn2
PERp2	A14			S27	PERp2
GND	A13			S28	GND
REFCLK-	A12			E8	REFCLK-
REFCLK+	A11			E7	REFCLK+
GND	A10				
CWAKE#,OBFF	A9			P1	WAKE#
BP_TYPE	A8				
GND	A7			S19	GND
PERn1	A6			S20	PERn1
PERp1	A5			S21	PERp1
GND	A4			E12/S22	GND
PERn0	A3			E13	PERn0
PERp0	A2			E14	PERp0
GND	A1			E15	GND