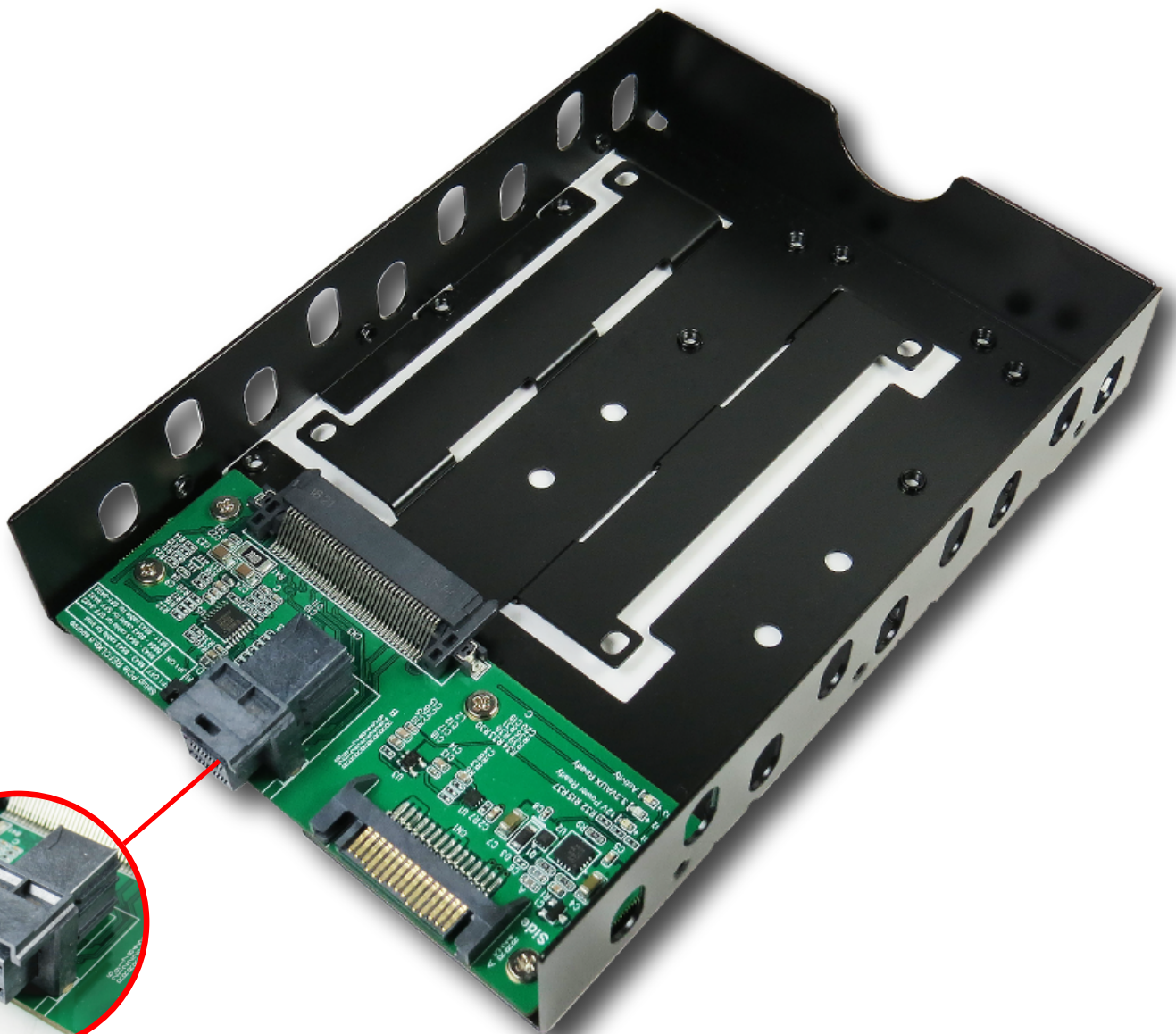


Innocard

Minerva

GD417G

Mini SAS HD PCIe Gen3 to U.2 NVMe SSD Adapter
with 3.5" Enclosure



Mini SAS HD 4x
(SFF-8643)

Mini SAS HD PCIe Gen3 to U.2 SSD Adapter + 3.5" Enclosure

Features

- ※ U.2(SFF-8639) to SFF-8643 MINI SAS HD convert
- ※ 2.5" H.D.D. form factor to 3.5" H.D.D form factor convert
- ※ Build in SATA 15 pin power connector
- ※ Build in SFF-8639 connector, pin-out defined by SFF-9402Rev1.0
- ※ Build in SFF-8643 connector, pin-out defined by SFF-9402Rev1.0
- ※ Built-in 12V input with 400W TVS(Transient Voltage Suppressor ESD protection
- ※ Built-in 12V Hot Plug Power with eFuse protection for U.2 SSD
 - ◆ Programmable Current Limit: 6.5A
 - ◆ Programmable Inrush Current Slew Rate
 - ◆ Thermal shutdown protection and fault alert
- ※ Built-in 12V output with 30-V, N channel NexFET power MOSFET, 32 m Ohm
- ※ Built-in 12V output with SCHOTTKY BARRIER Power Rectifier
- ※ Built-in 3.3Vaux load switch power protection
- ※ Built-in PCIe 100MHz clock mux
- ※ LED 2 Red LED on indicates SSD active status
- ※ LED 1 Green LED Blinking indicates 12V power ready
- ※ LED 3 Green LED Blinking indicates 3.3VAUX power ready

Specifications

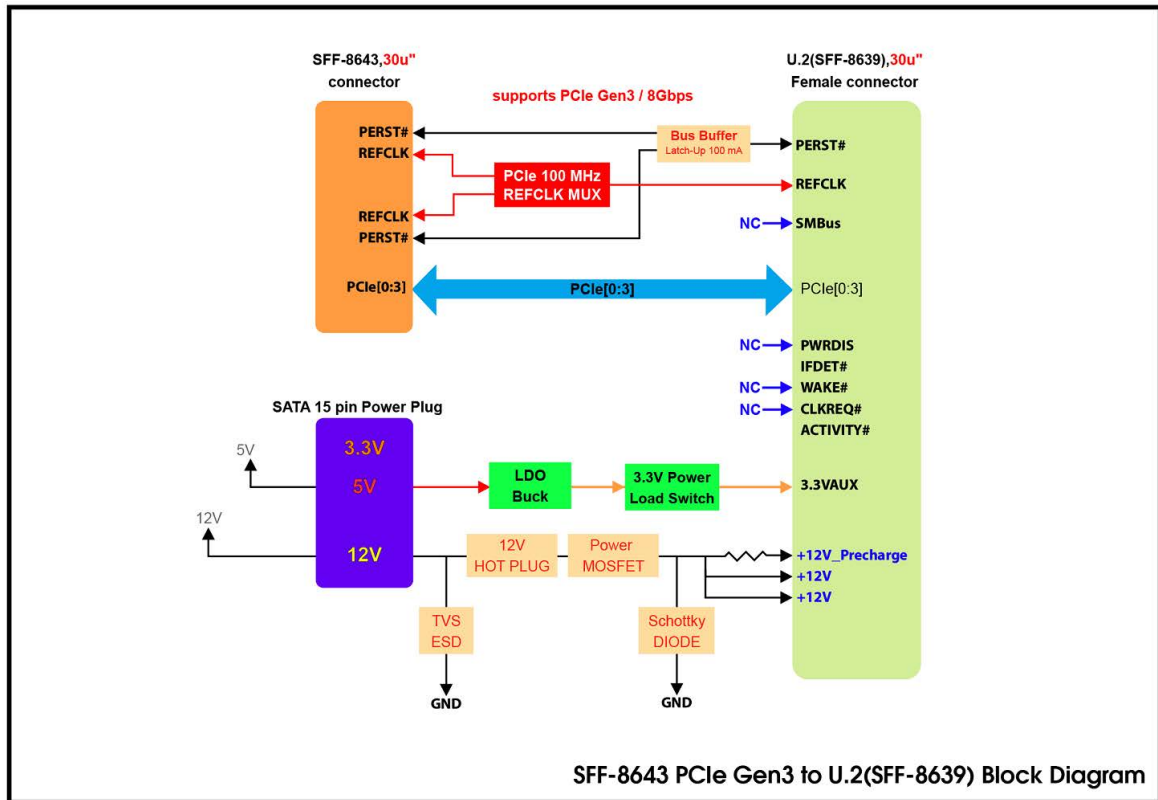
- ※ Compliant with NVM Express 1.0a
- ※ Support PCI Express Base Specification Rev 3.0
- ※ Support SSD_Form_Factor_Version1_a
- ※ Compliant with SFF-8639 Specification Rev 2.0
- ※ Compliant with SFF-8643 Specification Rev 3.5

Application

- ※ SFF-8643 to SFF-8643 Cable for SFF-8643(mini SAS HD) Host by Intel defined PCIe REFCLK
- ※ SFF-8654 to SFF-8643 Cable for SFF-8654(SlimsSAS) Host by SFF-9402 defined PCIe REFCLK
- ※ SFF-8611 to SFF-8643 Cable for SFF-8612(OCulink) Host by SFF-9402 defined PCIe REFCLK
- ※ SFF-8643 to SFF-8643 Cable for SFF-8643(mini SAS HD) Host by SFF-9402 defined PCIe REFCLK



Mini SAS HD PCIe Gen3 to U.2 SSD Adapter + 3.5" Enclosure



PA417G Jumper Application

