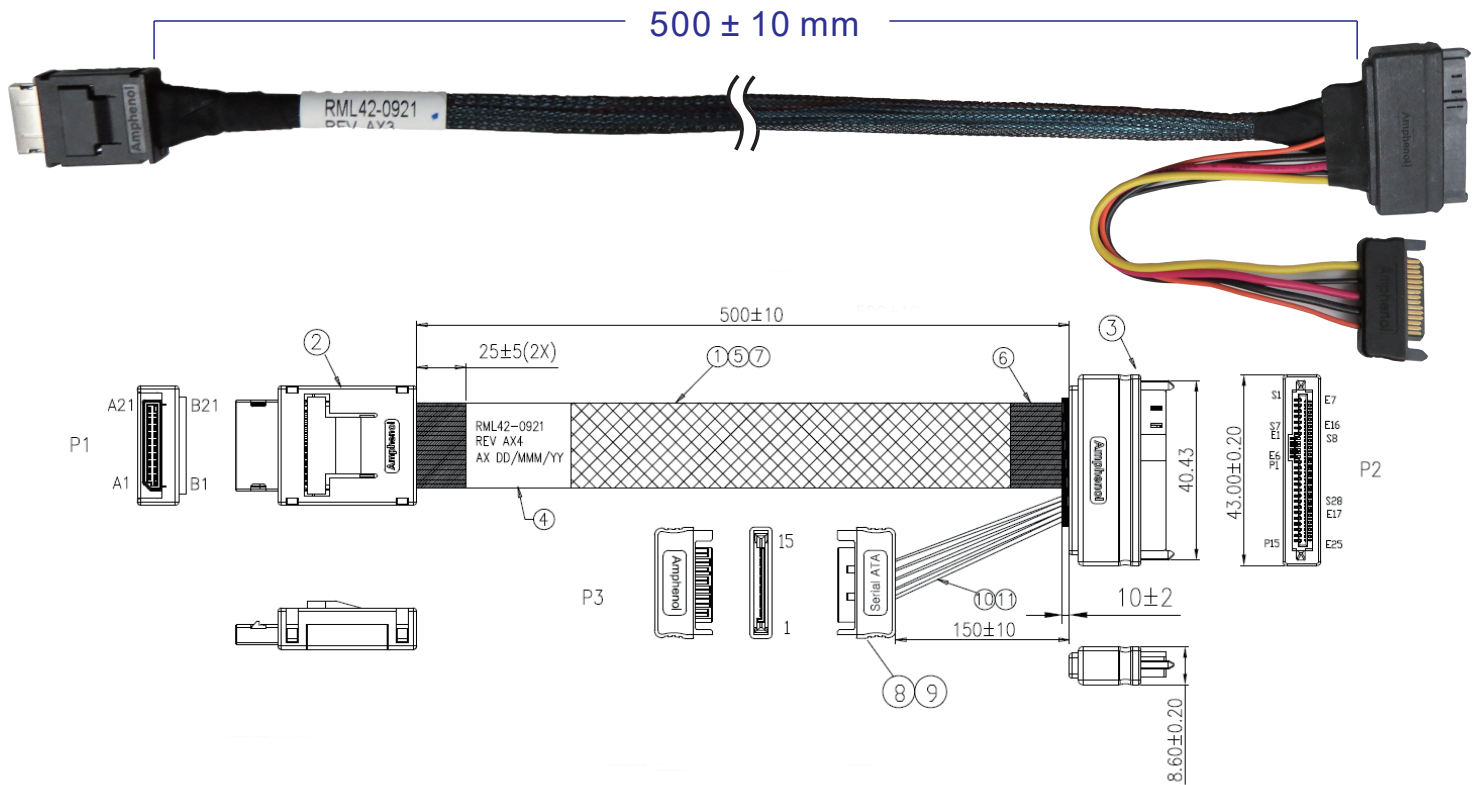


Oculink Cable (SFF-8611) to U.2 (SFF-8639)



Pin-out assignment

P1/SFF-8611

RESERVED	A1
GROUND	A2
PERp0	A3
PERn0	A4
GROUND	A5
PERp1	A6
PERn1	A7
GROUND	A8
BP TYPE	A9
CWAKE#	A10
GROUND	A11
VSP	A12
VSP	A13
GROUND	A14
PERp2	A15
PERn2	A16
GROUKD	A17
PERp3	A18
PERn3	A19
GROUKD	A20
RESERVED	A21
RESERVED	B1
GROUKD	B2
PETp0	B3
PETn0	B4
GROUKD	B5
PETp1	B6
PETn1	B7
GROUKD	B8
2-WIRE CLOCK	B9
2-WIRE DATA	B10
GROUKD	B11
PERST#	B12
CPRSNT#	B13
GROUKD	B14
PETp2	B15
PETn2	B16
GROUKD	B17
PETp3	B18
PETn3	B19
GROUKD	B20
RESERVED	B21

P2/SFF-8639

E15	GND
E14	PERp0
E13	PERn0
E12/S22	GND
S21	PERp1
S20	PERn1
S19	GND
P1	WAKE#
E7	REFCLK+
E8	REFCLK-
S28	GND
S27	PERp2
S26	PERn2
E22/S25	GND
E21	PERp3
E20	PERn3
E19	GND
E9	GND
E10	PETp0
E11	PETn0
E12/S16	GND
S17	PETp1
S18	PETn1
S19	GND
E5	PERST#
S22	GND
S23	PETp2
S24	PETn2
S25	GND
E17	PETp3
E18	PETn3
E19	GND