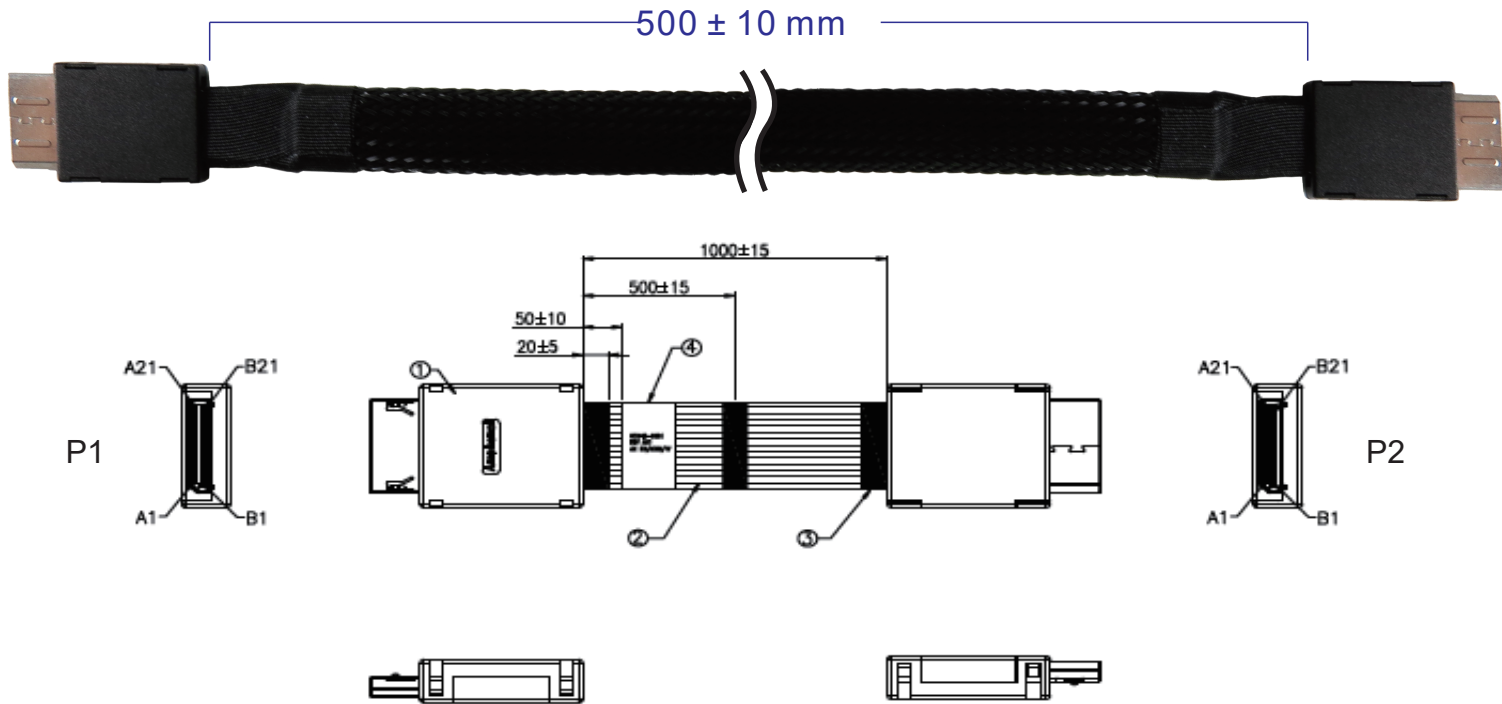


## Oculink (SFF-8611) to (SFF-8611)



### Pin-out assignment

#### P1/SFF-8611

RESERVED	A21
GROUND	A20
PETN3	A19
PETP3	A18
GROUND	A17
PETN2	A16
PETP2	A15
GROUND	A14
CPRSNT#	A13
CWAKE	A12
GROUND	A11
2-WIRE DATA	A10
2-WIRE CLOCK	A9
GROUND	A8
PETN1	A7
PETP1	A6
GROUND	A5
PETN0	A4
PETP0	A3
GROUND	A2
RESERVED	A1
RESERVED	B21
GROUND	B20
PERN3	B19
PERP3	B18
GROUND	B17
PERN2	B16
PERP2	B15
GROUND	B14
PERST#	B13
UNASSIGNED	B12
GROUND	B11
VSP	B10
VSP	B9
GROUND	B8
PERN1	B7
PERP1	B6
GROUND	B5
PERN0	B4
PERP0	B3
GROUND	B2
RESERVED	B1

#### P2/SFF-8611

B21	RESERVED
B20	GROUND
B19	PERN3
B18	PERP3
B17	GROUND
B16	PERN2
B15	PERP2
B14	GROUND
B13	CPRSNT#
B12	CWAKE
B11	GROUND
B10	2-WIRE DATA
B9	2-WIRE CLOCK
B8	GROUND
B7	PERN1
B6	PERP1
B5	GROUND
B4	PERN0
B3	PERP0
B2	GROUND
B1	RESERVED
A21	RESERVED
A20	GROUND
A19	PETN3
A18	PETP3
A17	GROUND
A16	PETN2
A15	PETP2
A14	GROUND
A13	PERST 3#
A12	UNASSIGNED
A11	GROUND
A10	VSP
A9	VSP
A8	GROUND
A7	PETN1
A6	PETP1
A5	GROUND
A4	PETN0
A3	PETP0
A2	GROUND
A1	RESERVED